



USES AND
RACOMMENDS



www.tmracing.it

TM Racing SpA - Via Fano, 6
61122 Pesaro - ITALY
Phone: +39 0721 25113

4T300FIENTW21-T

TELAIO
FRAME

28/02/2022



INFORMAZIONI GENERALI

Il presente catalogo serve per richiedere con esattezza le parti di ricambio.

Nelle ordinazioni indicare:

1) Il numero di matricola del Telaio che è stampigliato sul lato destro del canotto di sterzo. Nei modelli EN, SMR, SMR il numero di matricola è riportato anche su una targhetta posta sul lato sinistro (Vedi foto).

2) il numero di serie del Motore. E' posto sulla sinistra del motore tra la leva cambio e i coperchio accensione (Vedi foto).

3) Il codice dei particolari seguito dalla descrizione.

4) Il colore per i pezzi verniciati o comunque colorati.

Le indicazioni destra e sinistra si riferiscono ai lati del veicolo rispetto al senso di marcia.

Foto e disegni sono solo a scopo informativo e potrebbero non corrispondere esattamente alle caratteristiche dei prodotti.

GENERAL INFORMATION

The present spare parts catalogue enables one to order exactly the right spare part.

When ordering specify:

1) The frame serial number. It is embossed on the right side of the steering metal tube. In the EN, SMR and SMR models, the serial number is also stated on a plate positioned on the left hand side (See photo).

2) The engine serial numer. It is located on the left side of the engine between the gear lever and the ignition cover (See photo).

3) The part's code number followed but its description.

4) Indicate colour for painted or colored parts.

References to right and left apply to the vehicle in terms of its direction of movement.

Photos and drawings are for informational purposes only and may not exactly match the characteristics of the products.

NOTE – LEGENDA

MY

NOVITA' INTRODOTTA DIFFERENTE O NON PRESENTE NEL MODELLO DELL'ANNO PRECEDENTE

PART DIFFERENT OR NOT PRESENT IN THE REVIOUS YEAR MODEL

5M

MOTORE CON CAMBIO A 5 MARCE
ENGINE WITH 5 GEARS SPEED

6M

MOTORE CON CAMBIO A 6 MARCE
ENGINE WITH 6 GEARS SPEED

KS

MOTORE CON SOLO KICK STARTER
ENGINE WITH KICK STARTER ONLY

ES

MOTORE CON AVVIAMENTO ELETTRICO
ENGINE WITH ELECTRIC STARTER

X

RICAMBIO NON DISPONIBILE ALLA VENDITA
PART CAN NOT BE SOLD SEPARATELY



Le illustrazioni riportate in questo manuale sono fornite solo come riferimento e possono variare dal prodotto effettivo,

Dati indicativi soggetti a modifiche senza impegno di preavviso.

The illustrations in this manual are for reference only and may vary from the actual product.

All data are subject to modification without prior notice.



4T300FIENTW21-T
TELAIO - FRAME

| | |
|---|----|
| MANUBRIO - HANDLEBAR..... | 4 |
| FRENO ANTERIORE - FRONT BRAKE..... | 6 |
| SOSPENSIONE ANTERIORE - FRONT SUSPENSION..... | 8 |
| RUOTA ANTERIORE - FRONT WHEEL..... | 11 |
| RADIATORI - RADIATORS..... | 13 |
| ELETTROVENTOLA - ELECTRIC FAN..... | 15 |
| FILTRO ARIA - AIR FILTER..... | 17 |
| TELAIO - FRAME..... | 19 |
| PLASTICHE - SEAT AND PLASTICS..... | 22 |
| SERBATOIO - FUEL TANK..... | 24 |
| FORCELLONE - SWINGARM..... | 26 |
| LEVERAGGI - LINKAGE..... | 28 |
| RUOTA POSTERIORE - REAR WHEEL..... | 30 |
| FRENO POSTERIORE - REAR BRAKE..... | 33 |
| SCARICO - EXHAUST SYSTEM..... | 36 |
| CABLAGGI - WIRING..... | 38 |
| CONTA KM - SPEEDMOTER..... | 40 |
| FANALERIA - LIGHTING..... | 42 |
| KIT ADESIVI - STICKERS KIT..... | 45 |
| - | 47 |

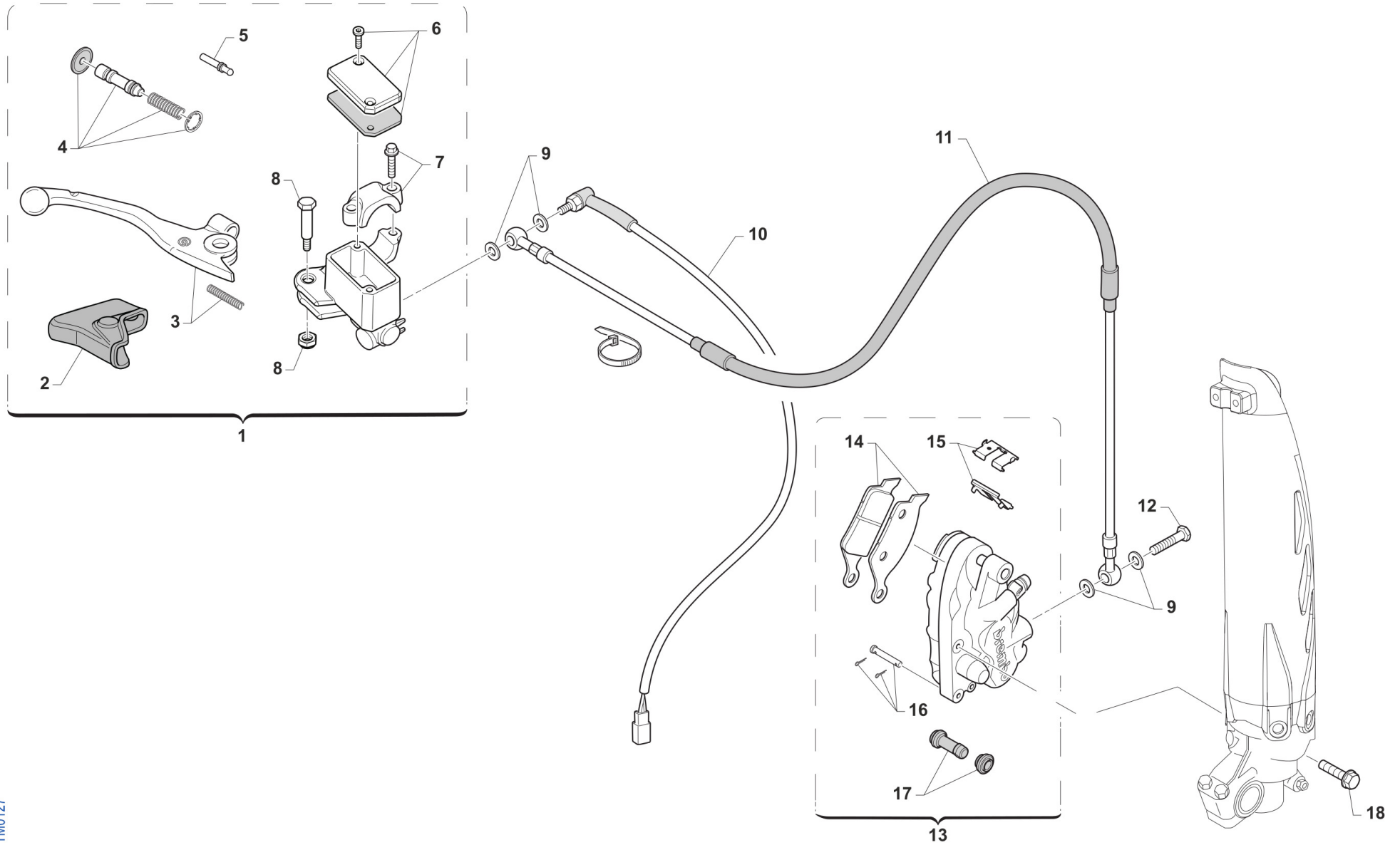


4T300FIENTW21-T
TELAIO - FRAME

MANUBRIO
HANDLEBAR

1

| | | | | | |
|----|----------|---|------|--------------------------------------|--|
| 1 | F64300 | 1 | | COMANDO GAS DOMINO 4T | THROTTLE ASSY DOMINO 4S |
| 2 | 68244 | 1 | | PULSANTE AVVIAMENTO MOTO ES MY19-> | BUTTON, START BIKE E.S. M. 19-> |
| 3 | F64322 | 1 | | CAVO GAS 4T INIEZIONE M.10-> | THROTTLE CABLE 4S Fi M.10/-> |
| 4 | 64083 | 1 | MY20 | MANUBRIO REIKON NERO 9399 | HANDLEBAR, BLACK 9399 |
| 5 | 68029 | 1 | | COMMUTATORE MAPPE CDI M.DOMINO | SWITCH, ECU MAP CONTROL DOMINO |
| 6 | 64078.1 | 1 | | PARACOLPI MANUBRIO TM 2013 NR | PROTECTION FOR HANDLEBAR TM BLACK |
| 7 | 64200 | 1 | | SPECCHIETTO RETROVISORE | REAR-VIEW MIRROR |
| 8 | 64240 | 1 | | POMPA FRIZIONE BREMBO | CLUCTH MASTER CYLINDER BREMBO |
| 9 | 64247 | 1 | | COPERCH./MEMBRAN.P.FRIZ.BREMBO | COVER/RUBBER CLUTCH MAST.CYL. |
| 10 | 64249 | 1 | | CAVALLOTTO POMPA FRIZIONE BREM | HOLDER CLUTCH MASTER CY.BREMBO |
| 12 | 64245 | 1 | | PERNO LEVA POMPA FRIZ. BREMBO | PIN |
| 13 | 64241 | 1 | | LEVA FRIZIONE BREMBO RICAMBIO | LEVER, CLUTCH BREMBO |
| 14 | 64238 | 1 | | PARAPOLVERE POMPA FRIZIONE BR. | DUST SEAL,CLUTCH MASTER CYL.BR |
| 15 | 64243 | 1 | | FLOTTANTE POMPA FRIZ. BREMBO 64240 | CYLINDER AND RUBBER MASTER CYL.CLUTCH BREMBO |
| 16 | 64010 | 1 | | MANOPOLE COPPIA PRO-GRIP GRI.AZZ.BLU | GRIPS, PRO-GRIP |
| 17 | 68030.10 | 1 | | COMMUTATORE LUCI/FRECCHE 08/-> | SWITCH, HANDLE LIGHTS AND F.L. |
| 18 | F35606 | 1 | | TUBO FRIZIONE IDR. 250Fi MX 2018 | CLUTCH HOSE, 4S TWIN |
| 20 | 64067 | 1 | | MANUBRIO REIKON JOBA 9017 MX | HANDLEBAR REIKON JOBA 9017 MX |
| 20 | 64079 | 1 | | MANUBRIO REIKON JOBA 9012 | HANDLEBAR REIKON JOBA 9012 |



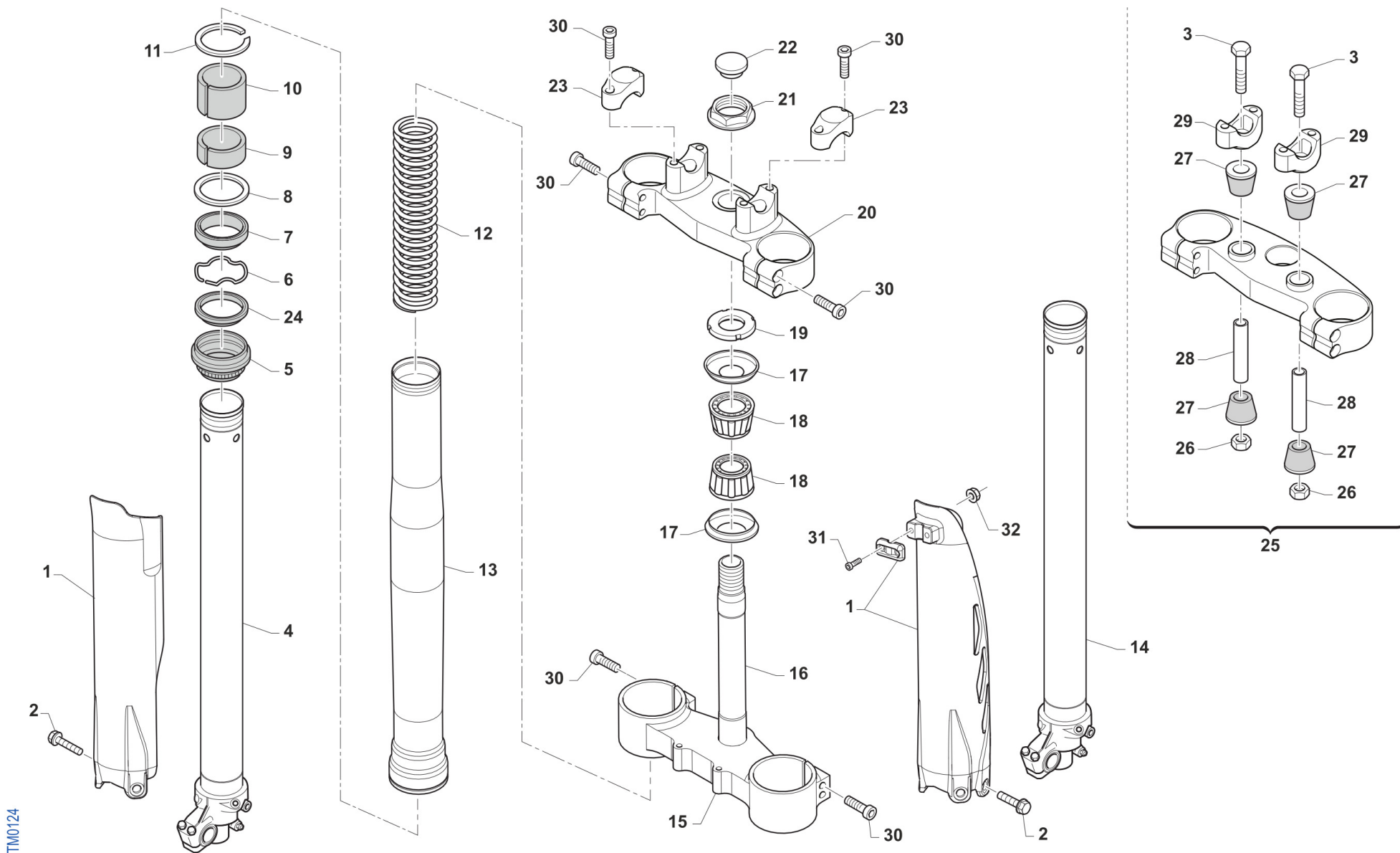


**4T300FIENTW21-T
TELAIO - FRAME**

**FRENO ANTERIORE
FRONT BRAKE**

2

| | | | | |
|----|----------|---|---|---------------------------------------|
| 1 | 69248 | 1 | POMPA FRENO ANT PS10/16 BREMBO (opt.JUNIOR) | FRONT MASTER CYLINDER PS 10/16 BREMBO |
| 2 | 69363 | 1 | CAPPUCCIO POMPA FRENO ANT PS10/16 | RUBBER FRONT MASTER CYLINDER BREMBO |
| 3 | 69357 | 1 | LEVA FRENO ANT BR. X 69248 | BRAKE FRONT LEVER BREMBO X 69248 |
| 4 | 69358 | 1 | KIT FLOTTANTE POMPA FREN.69248 | CYLINDER AND RUBBER KIT 69248 |
| 5 | 69364 | 1 | PUNTALINO POMPA FRENO ANT PS10/16 | PUSH ROD |
| 6 | 69368 | 1 | TAPPO POMPA FRENO BREMBO 69248 | CAP |
| 7 | 69362 | 1 | CAVALLOTTO POMPA FRENO ANT PS10/16 | HOLDER |
| 8 | 69365 | 1 | PERNO LEVA POMPA FRENO ANT PS10/16 | PIN, LEVER |
| 9 | 69034 | 4 | RONDELLA X BULLONE FREN B22001 | WASHER B22001, BRAKE HOSE |
| 10 | 68060 | 1 | INTERRUT. IDR. STOP BREMBO 90 GRADI | SWITCH,IDR.STOP REAR BR.BREMBO |
| 11 | 69042.14 | 1 | TUBO FRENO ANT END 08/-> WHITE | HOSE, FR BRAKE END 08-> WHITE |
| 12 | 69093 | 1 | BULLONE 10X1 TUBO FRENO BREMBO 03 | HOLLOW SCREW M10X1 BREMBO BR. |
| 13 | 69222 | 1 | PINZA FRENO ANTERIORE KYB PF2 | CALIPER, FRONT BRAKE XKYB PF2 |
| 14 | 69107 | 1 | PASTIGLIE ANTE. M.92/14 BREMBO | PAD KIT, FR BRAKE BREMBO 92/-> |
| 14 | 69117 | 1 | PASTIGLIE ANT.M.92/11 SINT.TOS | PADS, FRONT BRAKE 92->11 SINT. |
| 15 | 69273 | 1 | LAMIERINO PINZA 69222 | RETAINER BRAKE PADS 69222 |
| 16 | 69274 | 1 | PERNO PINZA ANT. 69222 | PIN, BRAKE PADS |
| 17 | 69113 | 1 | CUFFIE PINZA ANT/POST 92/98 | COVER, RUBBER CALIPER 92/98 |
| 18 | 49365 | 1 | VITE TE F/R 8X35 Ch.10 | BOLT 8X35 T.10mm |



TM0124



4T300FIENTW21-T
TELAIO - FRAME

SOSPENSIONE ANTERIORE
FRONT SUSPENSION

3

| | | | | | |
|----|----------|---|------|---|-----------------------------------|
| 1 | 67224.20 | 1 | MY20 | PROTEZ.KIT FORC.USD BLU 2020 | FORKS PROTECTIONS USD BLU MY20-> |
| 1 | 67235.20 | 1 | MY20 | PROTEZ.KIT FORC.USD BIANCO 2020 | FORKS PROTECTIONSUSD WHITE MY20-> |
| 2 | 49571 | 6 | | VITE TBCE 6x 7 PROT. FORCELLA | BOLT TBCE 6x7 |
| 3 | 49582 | 2 | | VITE TE 10X65 UNI 5737 | SCREW EH 10X65 |
| 4 | 72568 | 1 | | INNER TUBE COMP RIGHT | INNER TUBE COMP RIGHT |
| 5 | 72502 | 2 | | PARAPOLVERE FORCELLA KYB 48 mm | DUST SEAL KYB FORK 48 mm |
| 6 | 72525 | 2 | | SNAP RING OIL SEAL KYB 48 MM | SNAP RING OIL SEAL KYB 48 MM |
| 7 | 72501 | 2 | | PARAOLIO FORCELLA KYB 48 mm | OIL SEAL KYB FORK 48 mm |
| 8 | 72526 | 2 | | WASHER NEXT TO OIL SEAL KYB 48 | WASHER NEXT TO OIL SEAL KYB 48 |
| 9 | 72504 | 2 | | SLIDE METAL KYB 48 mm | SLIDE METAL KYB 48 |
| 10 | 72503 | 2 | | PISTON METAL KYB 48 mm | PISTON METAL KYB 48 |
| 11 | 72530 | 2 | | SNAP RING OUTERTUBE KYB 48 MM | SNAP RING OUTERTUBE KYB 48 MM |
| 12 | F72445 | 2 | | MOLLA FORCELLA KAYABA 48 K=4.0 | SPRING, FORKS KYB 48 K=4.0 |
| 12 | F72446 | 2 | | MOLLA FORCELLA KAYABA 48 K=4.2 | SPRING, FORKS KYB 48 K=4.2 |
| 12 | F72447 | 2 | | MOLLA FORCELLA KAYABA 48 K=4.3 | SPRING, KYB FORK K 4.3 |
| 12 | F72448 | 2 | | MOLLA FORCELLA KAYABA 48 K=4.4 | SPRING, FORKS KYB 48 K=4.4 |
| 12 | F72449 | 2 | | MOLLA FORCELLA KAYABA 48 K=4.6 | SPRING, FORKS KYB 48 K=4.6 |
| 13 | 72567.1 | 2 | | OUTER TUBE COMP (FODERO) COL. ORO | OUTER TUBE COMP, GOLD |
| 14 | 72569 | 1 | | INNER TUBE COMP LEFT | INNER TUBE COMP LEFT |
| 15 | 72000.81 | 1 | | PIASTRA INF. KYB 48,20 | LOWER TRIPLE CLAMP KYB 48,20 |
| 16 | 72031 | 1 | | CANOTTO STERZO FERRO END 98/-> | STEERING STEM, END. M.98/04 |
| 17 | 72002.02 | 2 | | PROTEZIONE CUSC/CANOTTO STERZO M. 02 -> | DUST SEAL, STEERING STEM 02/-> |
| 18 | 03070 | 2 | | CUSCINETTO CONICO STERZO 02/-> | BUSH, STEERING M. 02/-> |
| 19 | 72008.98 | 1 | | GHIERA STERZO FORC.MOTO 98/04 | NUT, STEERING BEARING |
| 20 | 72000.80 | 1 | | PIASTRA SUP. KYB 48,20 | UPPER TRIPLE CLAMP KYB 48,20 |
| 21 | 49080 | 1 | | DADO CANOTTO STERZO 98/-> ALL | NUT, STEERING STEM ALUM 98/-> |
| 22 | 21033 | 1 | | TAPPO PLAST.D25 -CANOT.STER.EN | PLASTIC CAP D.25mm STEER. AXE |
| 23 | 72036.11 | 2 | | CAVALLOTTO SUP.M.11 SILVER | UPPER HANDLEBAR M.11 SILVER |

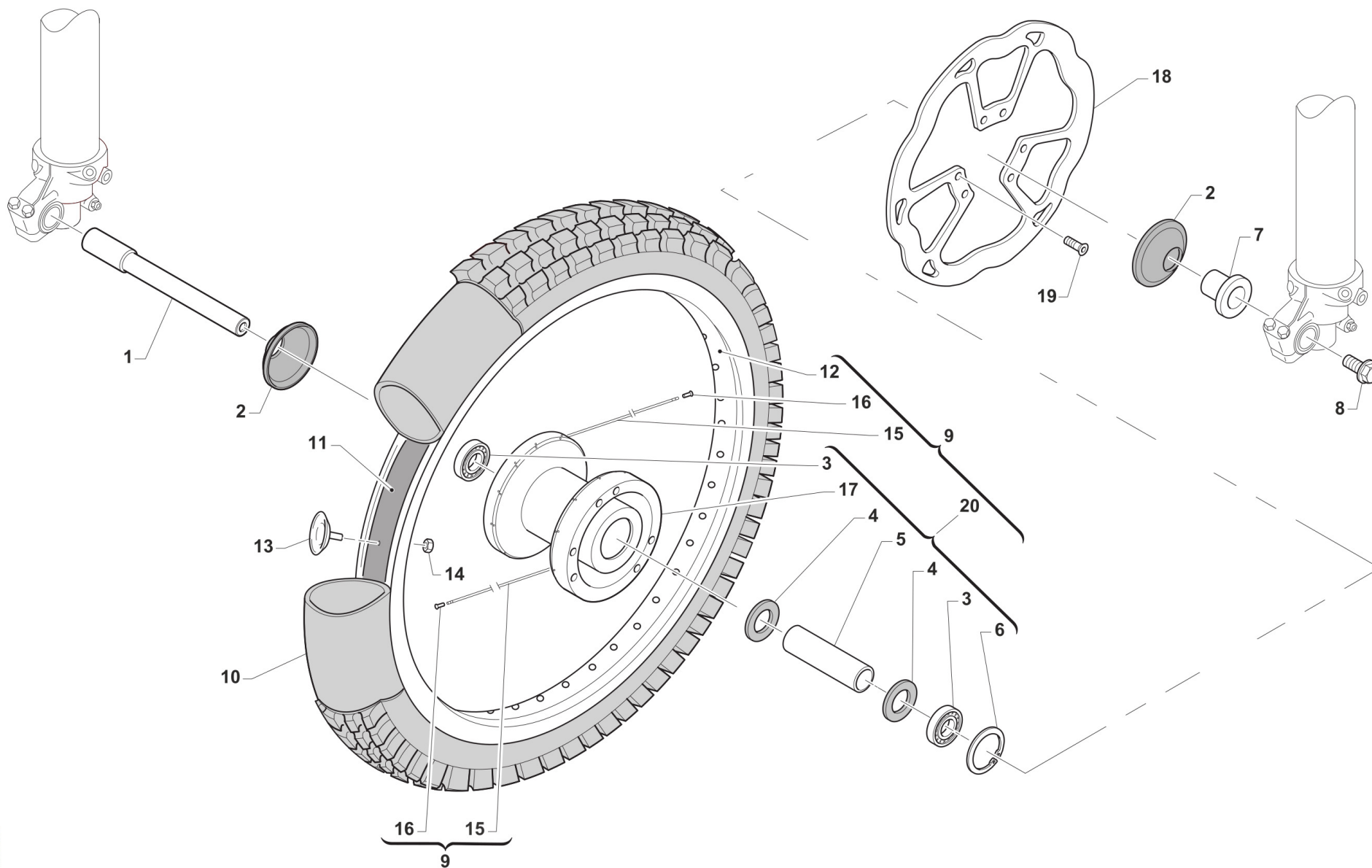


4T300FIENTW21-T
TELAIO - FRAME

SOSPENSIONE ANTERIORE
FRONT SUSPENSION

3

| | | | | | |
|----|----------|----|------|---|------------------------------------|
| 24 | 72341 | 2 | | SCRAPER FORC.KYB R.DEPT | SCRAPER |
| 25 | 72000.88 | 1 | | PIASTRA SUP. KYB 48,20 SB CPL | TOP TRIPLE CLAMP ASSY SB KYB 48,20 |
| 26 | 49646 | 2 | | DADO M10 BASSO AUTOBLOCCANTE | NUT, M10 LOW SELF-LOCKING |
| 27 | 21036 | 4 | | GOMMINO CAVAL. ANTIVIB.MANUBRIO MY 05-> | RUBBER, HANDLEBAR 05/-> |
| 28 | 26106 | 2 | | TUBETTO CAV.ANT.VIB.12X45X10 | BUSH, RUBBER, TRIPLE CLAMP |
| 29 | 72037.11 | 2 | | CAVALLOTTO INF. 11 RP SB SILVE | LOWER HANDLEBAR, CNC S.B. M11 |
| 30 | 49502 | 12 | | VITE TCEI 8X30 | BOLT TCEI 8X30 |
| 31 | 49474 | 2 | MY20 | VITE TCEI 5X16 UNI 5931 | BOLT TCEI 5X16 |
| 32 | 49629 | 2 | MY20 | DADO M 5 ALTO AUTOBLOCCANTE | NUT 5mm, HIGHT SELF-LOCKING |



TM0017

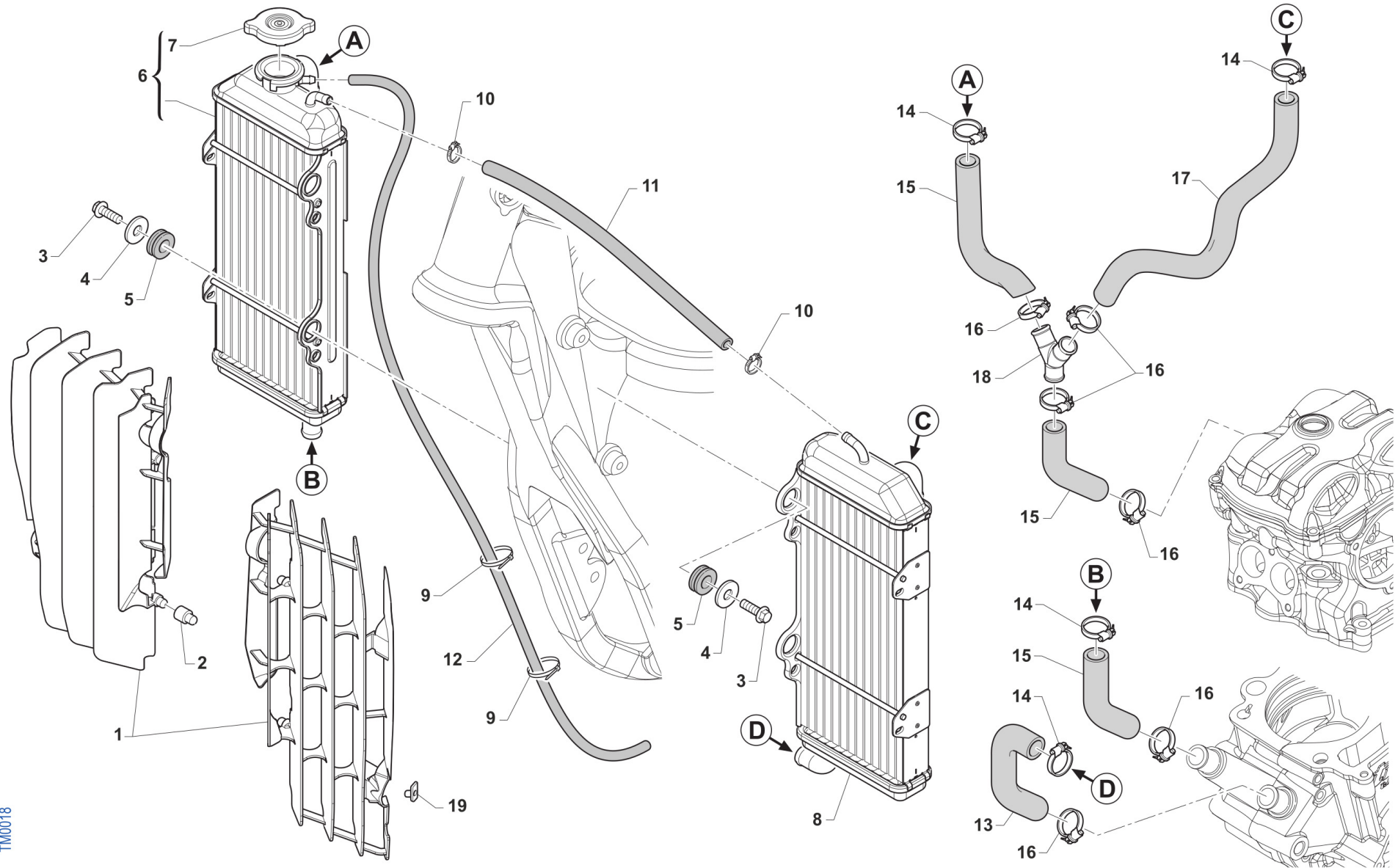


4T300FIENTW21-T
TELAIO - FRAME

RUOTA ANTERIORE
FRONT WHEEL

4

| | | | | |
|----|---------|----|---|-----------------------------------|
| 1 | 74044 | 1 | PERNO RUOTA ANT MA50 07/-> | AXLE, FR WHEEL MA50 07/-> |
| 2 | 69998 | 2 | PARAPOLVERE RUOTA ANT. MARZ. KYB 07-> | DUST SEAL, FR WHEEL MA50 07/-> |
| 3 | 03071 | 2 | CUSCINETTO RUOTA ANTER. + POSTER. | BUSH, FRONT WHEEL MA50 61905 |
| 4 | 70165 | 2 | RONDELLA GOMMA 42X29X3 D.I.ANT | WASHER, RUBBER 42x29x3 |
| 5 | 70167 | 1 | DIST.INT.R.ANT. MARZOCCHI 07 | SPACER INTER.FRONT WHEEL MA.7 |
| 6 | 49250 | 1 | SEEGER I 42 RP 94/96 ANT MARZ.50 | CIRCLIP D.42 - REAR WHEEL |
| 7 | 70166 | 1 | BOCCOLA RUOTA ANT MA50 07/-> | SPACER, FR WHEEL MA50 07/-> |
| 8 | 49077 | 1 | DADO PERNO RUOTA ANT M.K.07-> | NUT, FR AXLE MA50 M.07/-> |
| 9 | 70191 | 1 | CERCHIO ANT. CPL 21x1.60 MA50/KYB48 BLU | RIM, FRONT MX ASSY 21x1.60 MY10-> |
| 10 | 80150 | 1 | CAMERA ARIA ANTERIORE 21 | TUBE, TYRE 21 |
| 11 | 70032 | 1 | FLAP RUOTA ANTERIORE 21 | FLAP FRONT WHEEL 21 |
| 12 | 70050 | 1 | CERCHIO ANT 21x1.60 TAKASAGO BLU | FRONT RIM 1.60x21 Takasago |
| 13 | 70030.1 | 1 | FERMA COPERTURA RUOTA ANTER. 1.60 | STOPPER 1.60 |
| 14 | 49640 | 1 | DADO M 8 FLANGIATO CHIAVE 12 | NUT 8mm, FLANGE |
| 15 | 70246 | 36 | RAGGIO R.ANT.4.0/3.1/4.0 X 230 | SPOKE FR.WHEEL 4/3.1/4 X 230 |
| 16 | 70062 | 36 | NIPPLO ACCIAIO 4 | SPOKE NIPPLE 4 mm |
| 17 | 70181 | 1 | MOZZO ANT MA50/KYB EN/MX R4 NUDO | HUB, FR WHEEL |
| 18 | 69260 | 1 | DISCO FRENO ANT.2015 270x70,5 | BRAKE, FRONT DISK 15-> |
| 19 | 49370 | 6 | VITE TE F/R 6X12 | BOLT 6X12 |
| 20 | 70188 | 1 | MOZZO ANT MA50/KYB EN/MX R4 CPL | FRONT HUB MARZ. 2010 --> ASSY |



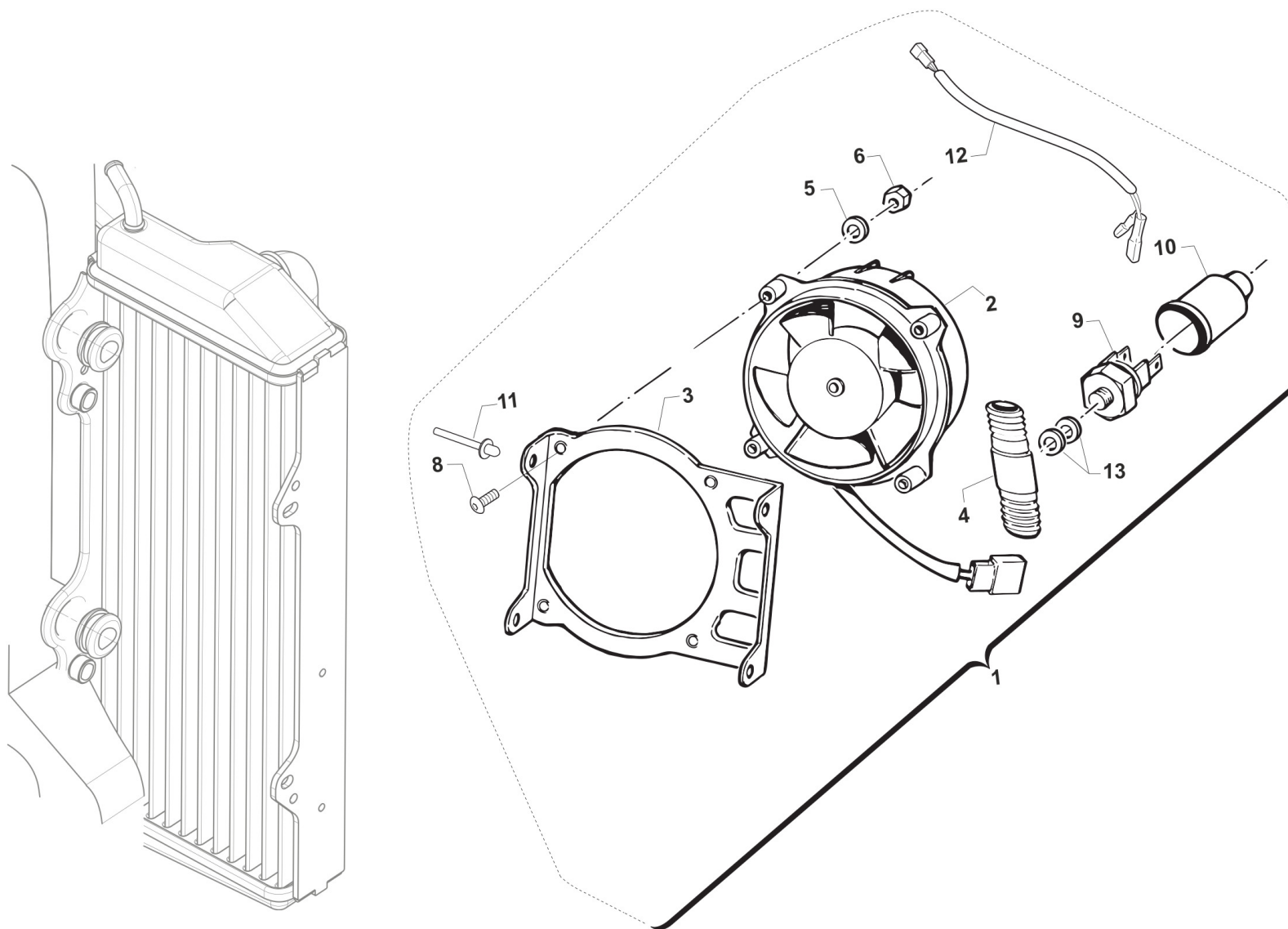
TM0018



**4T300FIENTW21-T
TELAIO - FRAME**

**RADIATORI
RADIATORS**

| | | | | | |
|----|----------|---|------|--------------------------------------|--------------------------------------|
| 1 | F23321 | 1 | | KIT PROTEZ.RAD.TM 2012 CPL BLU | GUARD ASSY RADIATOR 12/-> BLUE |
| 1 | F23323 | 1 | | KIT PROTEZ.RAD.TM 2012 CPL BNC | GUARD ASSY RADIATOR M.12-> WHITE |
| 2 | F23303 | 4 | | BOCCOLA PROT.RADIAT 4T M.03/09 | SPACER, RAD. PROTECTION 03/-> |
| 3 | 49355 | 4 | | VITE TE F/R 6X16 Ch.8 | BOLT 6X16 T.8 |
| 4 | 26084 | 4 | | RONDELLA PARAF ANT. 24x2 M.08 | WASHER, FRONT FENDER 24 X 2 |
| 5 | 21102 | 4 | | GOMMINO ANTIV.RADIAT.SILENZ. MY 94-> | RUBBER, GROMMET RADIATOR and SILENC. |
| 6 | 23054 | 1 | 9CH | RADIATORE 4T DX 9CAN 08/-> TAP | RADIATOR, RH 4S 9CHA 08/-> CAP |
| 6 | F23316 | 1 | 12CH | RADIATORE DX 4T 12 CAN.08->TAP | RADIATOR, RH 4S 12CH 08/-> CAP |
| 7 | 65034 | 1 | | TAPPO RADIATORE B&P 1.8 BAR (TONDO) | RADIATOR CAP B&P 1,8 BAR |
| 8 | 23055 | 1 | 9CH | RADIATORE 4T SX 9CAN 08/-> | RADIATOR, LH 4S 9CHA 08/-> |
| 8 | F23317 | 1 | 12CH | RADIATORE SX 4T 12 CAN. 08-> | RADIATOR, LH 4S 12CH 08/-> |
| 9 | 51037 | 2 | | FASCETTA NYLON 200 X 3,6 | NYLON CLAMP |
| 10 | 51014 | 2 | | FASCETTA INOX 9 - 14 H5 IMBUT | BAND, INOX 9-14 H5 IMBUT |
| 11 | 67036 | | | TUBO ANTIBENZINA 8 x 14 OLIO F.P. | HOSE, OIL/FUEL 8x14 |
| 12 | 67170 | | | TUBO COPOLAN GRIGIO 5x9 mm | HOSE, COPOLAN GREY 5x9 mm |
| 13 | 21024 | 1 | | MANICOTTO H2O CARTER/CIL KV/K9 | |
| 14 | 51062 | 4 | | FASCETTA A COLLARE DIAM.22 ZN | CLIP, WATER HOSE, d.22 ZN |
| 15 | 21023 | 1 | | MANICOTTO ACQUA RADIATORE ML | WATER HOSE RADIATOR ML |
| 16 | 51036 | 6 | | FASCETTA A COLLARE DIAM.24 ZN | CLIP, WATER HOSE, d.24 ZN |
| 17 | F21440.1 | 1 | | Manicotto radiatore SX 250 Replica | WATER HOSE, LH, 250/300 4S TWIN |
| 18 | F21439 | 1 | | Manicotto metallico acqua ad Y CNC | JOINT, WATER HOSE TWIN |
| 19 | 49801 | 2 | | PRESTOLA RADIATORE M6 70117G | RANGE CHANGE MET.NUT M6 70117G |



TM0094.02

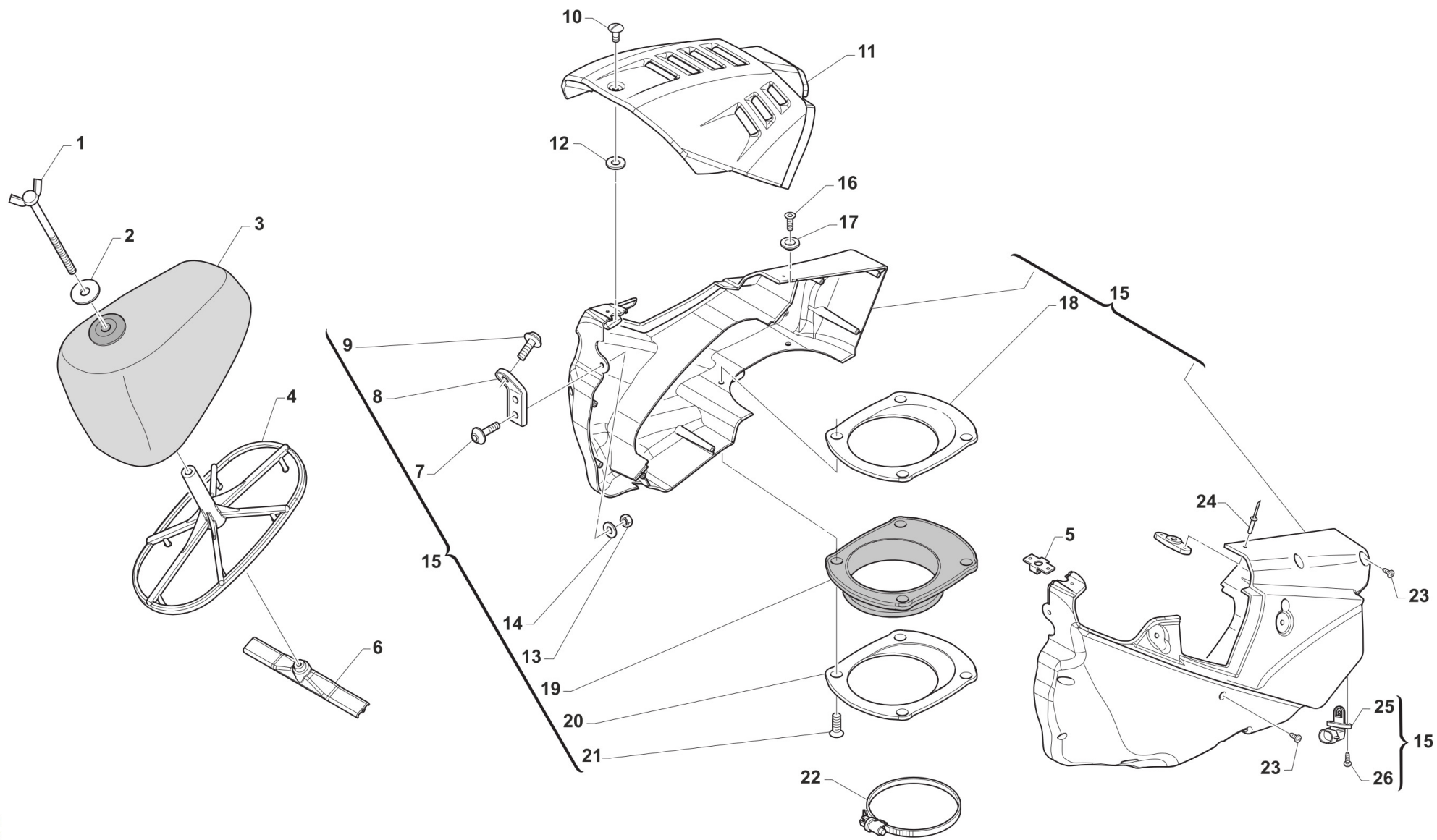


4T300FIENTW21-T
TELAIO - FRAME

ELETTROVENTOLA
ELECTRIC FAN

6

| | | | | | |
|----|---------|---|------|--|-------------------------------|
| 1 | 23079 | 1 | 12CH | KIT ELETTROVENTOLA CPL 4T RAD. 12 CANALI | FAN ASSY 4S - RADIATOR 12CH |
| 1 | 23080 | 1 | 9CH | KIT ELETTROVENTOLA CPL 4T RAD. 9 CANALI | FAN KIT 4S - RADIATOR 9CH |
| 2 | F23307 | 1 | | ELETTROVENTOLA SM D.96 - 12V | ELECTRIC FAN |
| 3 | F23325 | 1 | 9CH | SUPPORTO ELETTROVENT.RAD.9 CAN | HOLDER FAN RADIATOR 9 CHAN. |
| 3 | F23326 | 1 | 12CH | SUPPORTO ELETTROVENT.RAD.12CAN | HOLDER FAN RADIATOR 12 CHAN. |
| 4 | F23309 | 1 | | RACCORDO PER TERMOSTATO | JOINT, THERMOSTAT |
| 5 | 49600 | 4 | | RONDELLA 4x8x0,8 | WASHER 4 |
| 6 | 49631 | 4 | | DADO M 4 BASSO AUTOBLOCCANTE | NUT 4mm, LOW SELF-LOCKING |
| 8 | 49416 | 4 | | VITE TSPEI 4x25 UNI 5933 | |
| 9 | F23310 | 1 | | TERMOINTERRUTTORE VENTOLA 4T | THERMAL SWITCH ELECTR. FAN 4S |
| 10 | F23306 | 1 | | TUBETTO | |
| 11 | 49807.1 | 4 | | RIVETTO ALL. A STRAPPO 4 X10 | RIVET 4X10 |
| 12 | F68258 | 1 | | CABLAGGIO X VENTOLE RAFF. 4T | WIRE ELECTRIC FUN 4S |
| 13 | F49939 | 2 | | RONDELLA RAME 8 X13 X 1,5 | WASHER COPPER 8,5X13X1,5 |



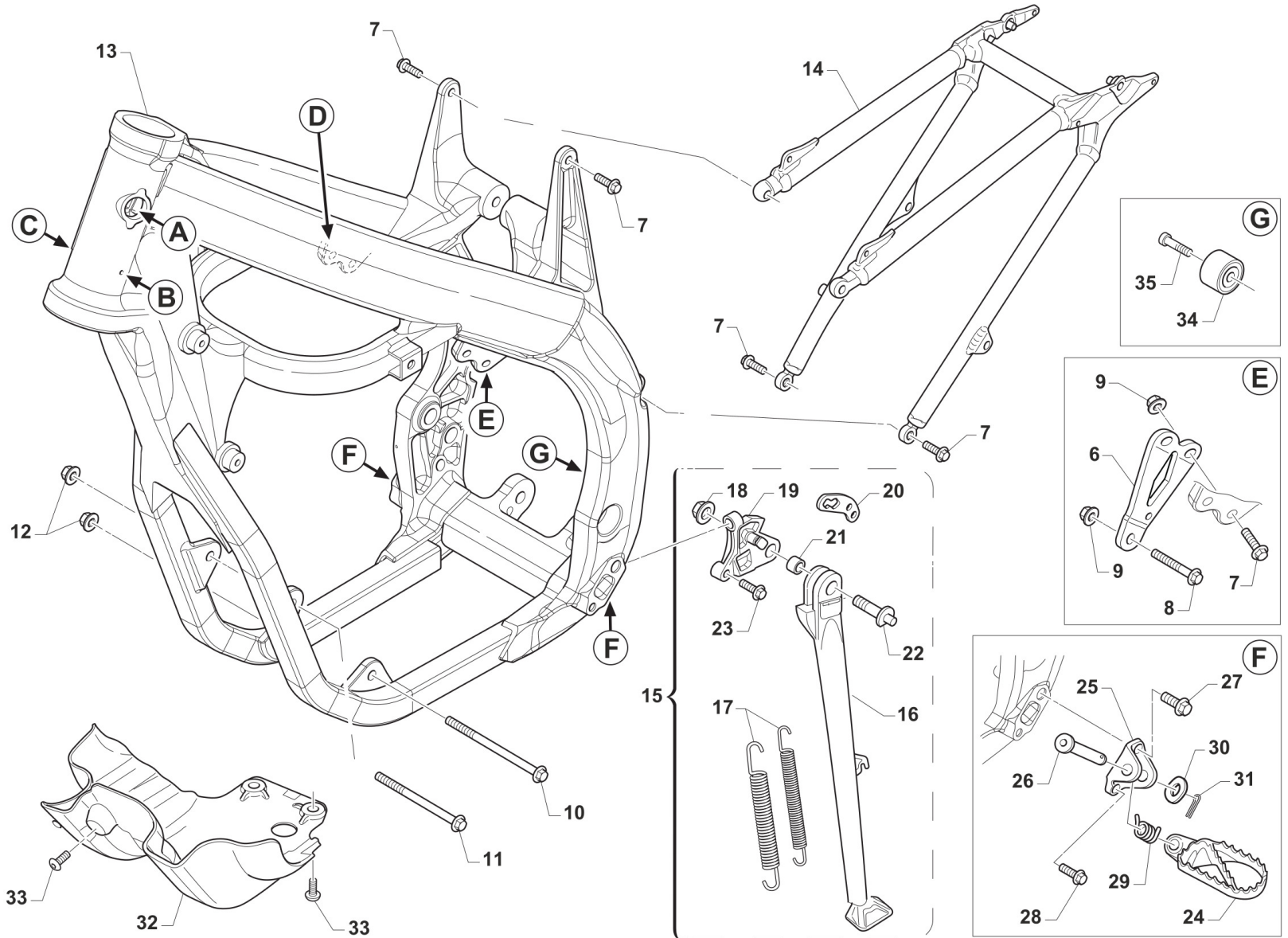
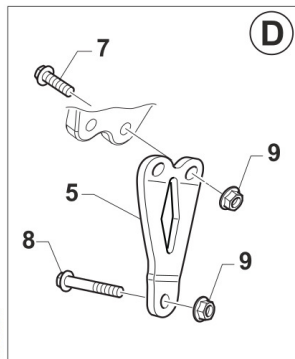
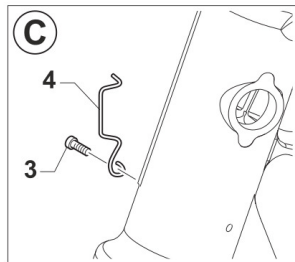
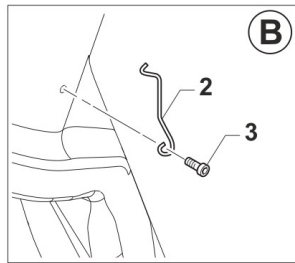
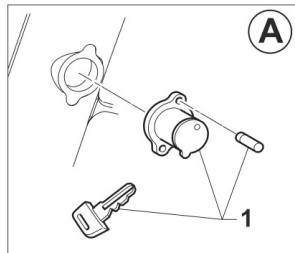


**4T300FIENTW21-T
TELAIO - FRAME**

**FILTRO ARIA
AIR FILTER**

7

| | | | | |
|----|----------|---|--|--------------------------------|
| 1 | 49418 | 1 | GALLETTO C/PERNO FILTRO 6x102 | SPECIAL BOLT AIR FILTER M6X102 |
| 2 | 49621 | 1 | RONDELLA 6X24 ZINC.ATT.FILTRO | WASHER 6X24 |
| 3 | 66065 | 1 | FILTRO ARIA 4T EN/MX/SMX M15-> | AIR FILTER 4S MX/END M.15-> |
| 4 | F66521 | 1 | GABBIA FILTRO 4T M15 | AIR FILTER GUIDE 4S M15-> |
| 5 | 49924 | 1 | RICETTACOLO D8-336-400-121 | PIN D8-336-400-121 |
| 6 | F67137 | 1 | STAFFA X GABBIA FILTRO 4T M15 | PLATE, AIR FILTER CAGE 4S 15-> |
| 7 | 49574 | 2 | VITE TBCE 6X12 PROT.FORCELLA | BOLT TBCE 6x12 |
| 8 | 26082 | 1 | PIASTRINO PL.SERBATOIO M 08/10 | PLASTIC PLATE TANK M.08->10 |
| 9 | F49822 | 1 | VITE ES.FLANG.M6X12 T.AL.M08 | BOLT, 6X12 AL. FRAME M.08-> |
| 10 | 49925 | 1 | SPINOTTO D8-316-110-190 CORTO | PIN D8-316-110-190 SHORT |
| 11 | F67136 | 1 | COVER CASSA FILTRO 4T MY15 NERA | COVER AIR BOX 4S MY15-> BLACK |
| 11 | F67141 | 1 | COVER CASSA FILTRO 4T MY15 BIANCA | COVER AIR BOX 4S MY15-> WHITE |
| 12 | 49923 | 1 | RONDELLA D8-326-100-040 | WASHER D8-326-100-040 |
| 13 | 49637 | 1 | DADO M 6 BASSO AUTOBLOCCANTE | NUT, M6 LOW SELF-LOCKING |
| 14 | 49117 | 1 | RONDELLA 18X6.5X2 X RADIAT.08 | WASHER 18X6.5X2 RADIATOR 08 |
| 15 | F67166 | 1 | CASSA FILTRO 250Fi MX 18-> CPL | AIRBOX, 250/300 4S TWIN ASSY |
| 16 | 49404 | 1 | VITE TSEI 6X16 | BOLT TSEI 6x16 |
| 17 | 26083 | 1 | BOCCOLA FISS.SELLA/SERBAT. M08 | BUSH, FIX SEAT / TANK M.08-> |
| 18 | F67139 | 1 | FLANGIA CUFFIA C.FILT.4T M15 I INTERNA | FLANGE, INTERNAL |
| 19 | F66520 | 1 | CUFFIA CASSA FILTRO 4T 2015 | AIRBOOT, 4S MY15 |
| 20 | F67139.1 | 1 | FLANGIA CUFFIA C.FILT.4T M15 E ESTERNA | FLANGE, EXTERNAL |
| 21 | 49402 | 4 | VITE TSEI 5X20 | BOLT TSEI 5X20 |
| 22 | 51006 | 1 | FASCETTA 92/112 | CLAMP 92/112 |
| 23 | 49872 | 9 | VITE TMT+PZ 3X20 PER PLASTICA | SCREW 3X20 |
| 24 | 49888 | 2 | RIVETTO ACC. 3 X12 | RIVET 3X12 |
| 25 | F08004 | 1 | SENSORE TEMP. ARIA ATS 05 | SENSOR, AIR TEMPERATURE ATS05 |
| 26 | 49304 | 2 | VITE T.C. 3X12 | BOLT |



TM0034



4T300FIENTW21-T
TELAIO - FRAME

TELAIO
FRAME

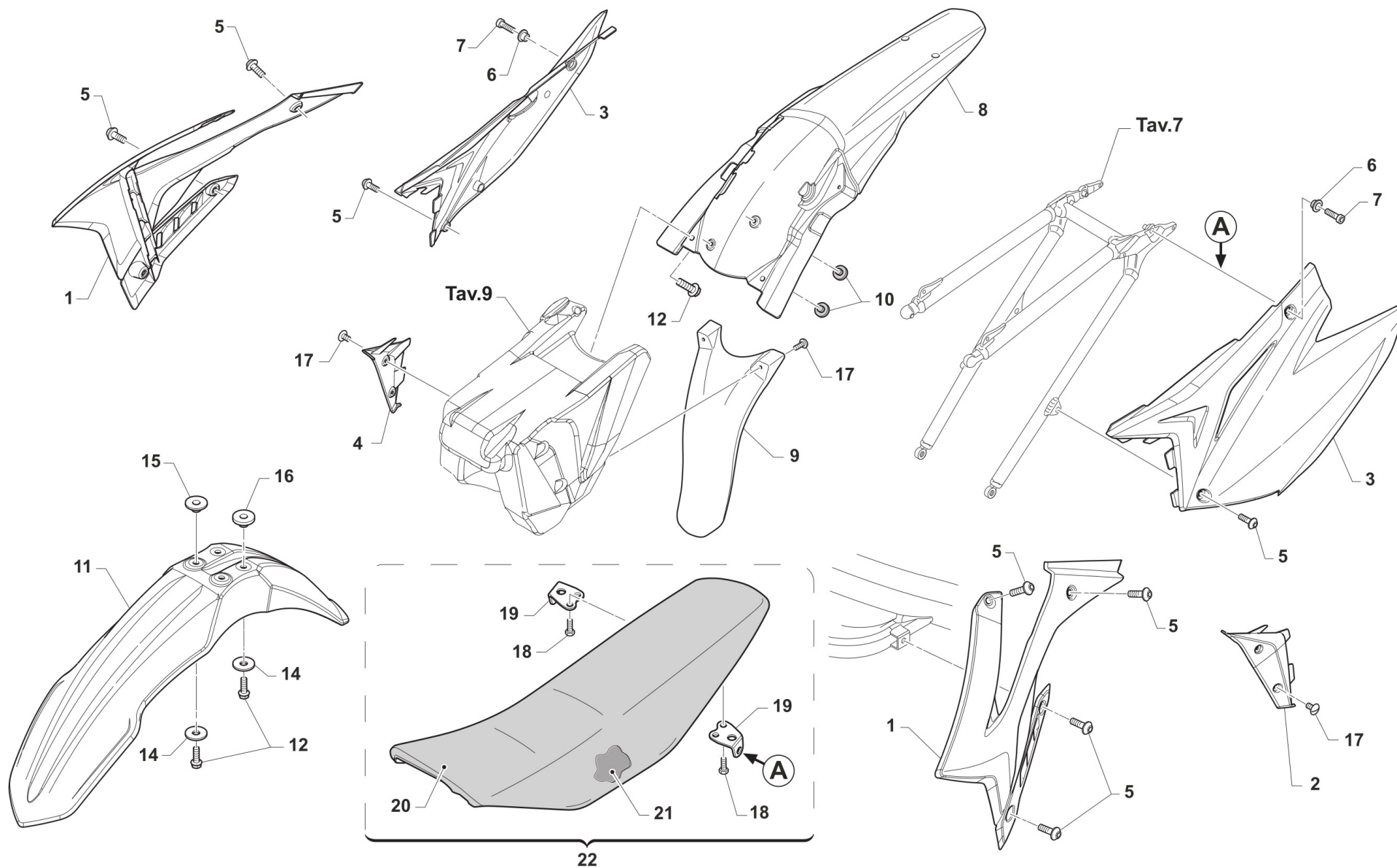
| | | | | |
|----|----------|---|---|--------------------------------|
| 1 | 50512 | 1 | KIT BLOCCASTERZO 08 COMPLETO SEDE+BLOCCHETTO +CHIAVE+VITI | STEERING LOCK M.08-> ASSY |
| 2 | 16021 | 1 | MOLLA PASSAGGIO CAVI MOTO (SX) | GROMMET BIKES LF |
| 3 | 49597 | 2 | VITE TBCEI 4 x 8 UNI 7380 | BOLT TBCE 4 x 8 |
| 4 | 16023 | 1 | MOLLA PASSAGGIO CAVI MOTO M.08 | SPRING, CABLES |
| 5 | F26690 | 1 | PIASTRINO ATT. MOT. 250Fi TWIN DX | PLATE, RH 4S TWIN |
| 6 | F26691 | 1 | PIASTRINO ATT. MOT. 250Fi TWIN SX | PLATE, LH 4S TWIN |
| 7 | 49364 | 8 | VITE TE F/R 8X25 Ch.10 | BOLT, EH 8X25 To.10 mm |
| 8 | 49366 | 2 | VITE TE F/R 8X40 Ch.10 | BOLT 8X40 T.10mm |
| 9 | 49680 | 6 | DADO M 8 X 1,25 CH 12 FLANG. AUTOBLOCK | NUT, M 8X1,25 FLANG. SB |
| 10 | 49352 | 1 | VITE TE F/R 10X125 1.25 Ch.10 | BOLT SPECIAL 10X125 1.25 T.13 |
| 11 | 49351 | 1 | VITE TE F/R 10X120 1.25 Ch.10 | BOLT SPECIAL 10X120 1.25 T.10 |
| 12 | F49962 | 2 | DADO M 10 X 1,25 CH 14 FLANGIATO | NUT, M10 X 1,25 KEY 14 |
| 13 | F73503 | 1 | TELAIO MOTO AL 250Fi 4T EN 19 | FRAME 250 EN 19 TWIN |
| 14 | F73466 | 1 | CODINO TELAI0 4T SMX 15/21 + 4T 250/300 TWIN | REAR SUB-FRAME 4S SMX MY 15/-> |
| 15 | F73451 | 1 | CAVALLETTO LAT. END AL M08 CPL | STAND, SIDE, ASSY 08/-> |
| 16 | F73438 | 1 | ASTA CAVALLETTO LAT.END.M08 | SIDE STAND END. M.08-> |
| 17 | 16034.08 | 1 | MOLLA CAVAL LAT.INT+EST 08/-> | SPRING, STAND 08/-> |
| 18 | 49656 | 1 | DADO M 10 X 1,5 CH 14 FLANGIATO | NUT, FLANGED M10 CH.14 1,5 |
| 19 | F73439 | 1 | SUPPORTO ASTA CAVALL.LAT.M08 | HOLDER SIDE STAND END. M.08-> |
| 20 | F73450 | 1 | PIASTRINO ATT.MOLLA CAVALL.08 | BRACKET, SIDE STAND SPRING 08 |
| 21 | F26429 | 1 | BOCCOLA CAVALLETTO M.2008-> | BUSH, SIDE STAND MOD. 08/-> |
| 22 | F49819 | 1 | VITE FISSAGGIO ASTA CAVAL. M08 | BOLT, SIDE STAND 08/-> |
| 23 | 49501 | 2 | VITE TCEI 8X25 UNI 5931 | BOLT TCEI 8X25 |
| 24 | 73048.10 | 1 | PEDANA DX MOD. 2010 | FOOTPEG, RIGHT M.10-> |
| 24 | 73049.10 | 1 | PEDANA SX MOD. 2010 | FOOTPEG, LEFT M.10-> |
| 25 | 00692 | 2 | PIASTRINO TELAI0 AL.ATT.PED.08 | HOLDER, FOOTPEGS, M. 08/-> |
| 26 | 73064 | 2 | PERNO PEDANE M.08-> X T.ALLUM. | PIN, FOOT PEG, 08/-> |
| 27 | 49382 | 2 | VITE ESAG.FLANG.M12X25 T.A. | BOLT 12 X 25 FLANGE |



4T300FIENTW21-T
TELAIO - FRAME

TELAIO
FRAME

| | | | | |
|----|----------|---|--------------------------------------|--------------------------------|
| 28 | 49383 | 2 | VITE ESAG.FLANG.M8X1.25X20 T.A | BOLT 8 X 20 FLANGE |
| 29 | 16022 | 2 | MOLLA RITORNO PEDANE M.08/-> | SPRING, FOOT PEG PIN 08/-> |
| 30 | 49612 | 2 | RONDELLA ACCIAIO 10 | STEEL WASHER 10 |
| 31 | 73036 | 2 | COPIGLIA PEDANA M. 92/01 | COTTER PIN FOOTPEG 92/01 |
| 32 | F50826 | 1 | PARAMOTORE 4T 250/300F MX/EN 2011-> | GUARD ENGINE 250Fi MX/EN 2011 |
| 33 | F49861 | 4 | VITE PARACOPPA E.I. M6X16 FL. | BOLT, GUARD ENGINE 6X16 |
| 34 | 67088.08 | 1 | ROTELLA CATENA M. 08/-> | CHAIN ROLLER 08/-> |
| 35 | 49725 | 1 | VITE TCEI M8X25 SPEC. ROT.CAT.SUP.08 | BOLT CHEI 8X25 UPPER CHAIN ROL |



TM0035

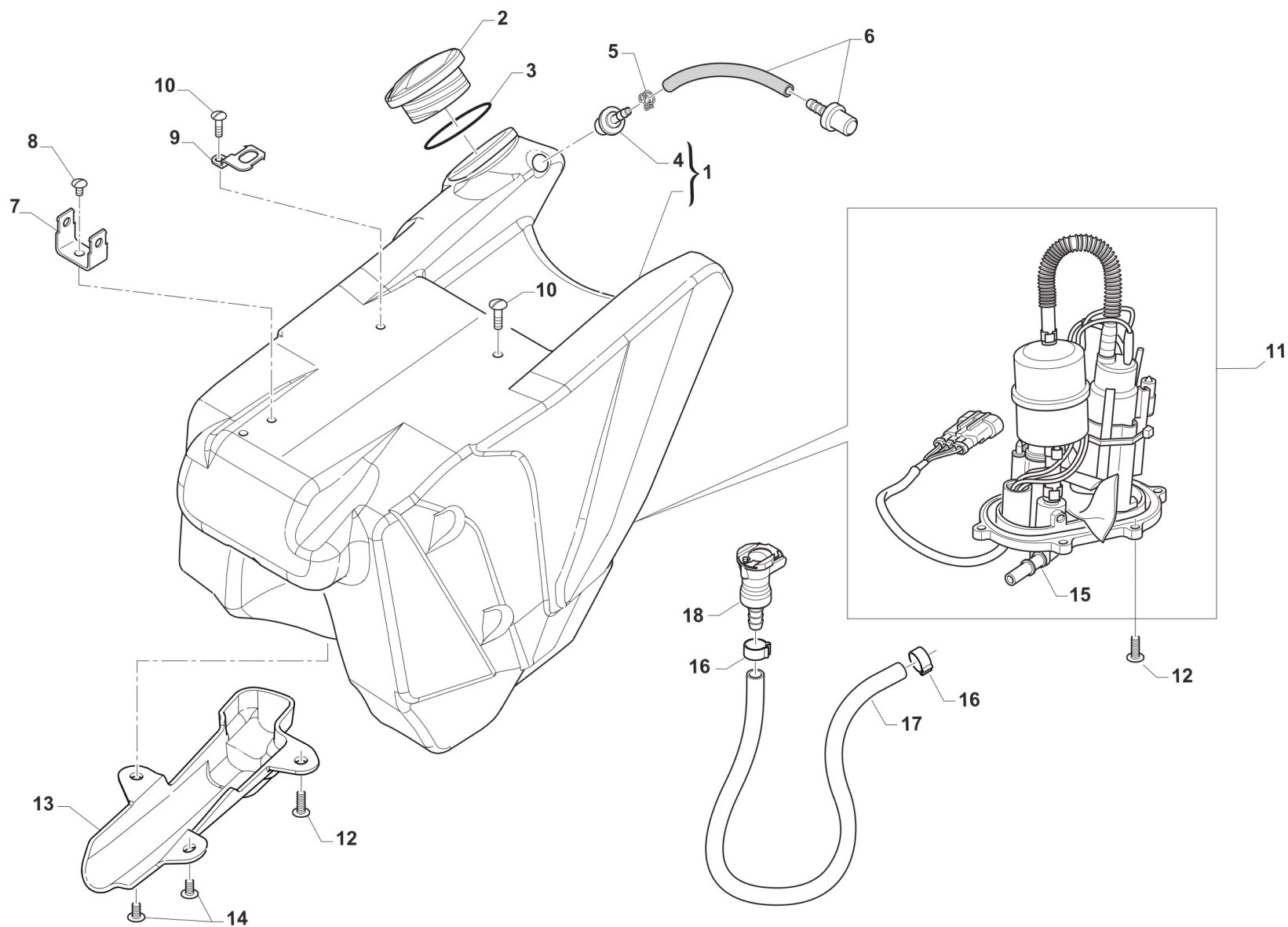


4T300FIENTW21-T
TELAIO - FRAME

PLASTICHE
SEAT AND PLASTICS

9

| | | | | |
|----|----------|----|--|--------------------------------|
| 1 | 67271.15 | 1 | SET CONV. ARIA 4T 2015 + 2T Fi BIANCHI | SHROUDS RAD. 4S RH+LH 15 WHITE |
| 2 | F67133 | 1 | ALETTA SERBATOIO 4T MY15 SX | TANK PROTECTION F.S. M15-> L. |
| 3 | 67274.15 | 1 | SET LAT P.NUM 4T TWIN 2015 BNC F67130 + F67131 | SIDE PANELS RH+LH4S TWIN15>WH. |
| 4 | F67132 | 1 | ALETTA SERBATOIO 4T MY15 DX | TANK PROTECTION F.S. M15-> R. |
| 5 | 49574 | 10 | VITE TBCE 6X12 PROT.FORCELLA | BOLT TBCE 6x12 |
| 6 | 26059 | 2 | BOCCOLA FISS.SELLA & LAT.03/-> | COLLAR, SEAT/SIDE PANEL 03/-> |
| 7 | 49484 | 2 | VITE TCEI 6X20 | BOLT TCEI 6X20 |
| 8 | 67251.15 | 1 | PARAFANGO POST. MY15 BIANCO | MUDGUARD, REAR M.15-> WHITE |
| 9 | 67233 | 1 | PROTEZIONE MONO R.C. / MY2015 | MONOSHOCK PROTECTION R.D. 15-> |
| 10 | 21135 | 2 | GOMMINO PARAFANGO POST MY 15 -> | RUBBER |
| 11 | 67131.12 | 1 | PARAFANGO ANT 12/-> BLU | MUDGUARD, FRONT 2012 BLU |
| 11 | 67216.12 | 1 | PARAFANGO ANT 2012 BIANCO | MUDGUARD, FRONT 2012 WHITE |
| 12 | 49356 | 6 | VITE TE F/R 6X20 Ch.8 | BOLT 6X20 T.8 |
| 14 | 26084 | 4 | RONDELLA PARAF ANT. 24x2 M.08 | WASHER, FRONT FENDER 24 X 2 |
| 15 | 26132 | 2 | BOCCOLA PARAF. ANT. M12 | BUSH, FRONT MUDGUARD M.12-> |
| 16 | 26157 | 2 | BOCCOLA PARAF. ANT. 2016 25 X 8 F.6,5 | BUSH, FRONT MUDGUARD M12 HIGHT |
| 17 | 49317 | 6 | VITE TB LARGA 5X10 LAT.SERB.94 | BOLT TB LARGE 5X10 |
| 18 | 49435 | 4 | VITE TE 5X12 | SCREW TE 5X12 |
| 19 | 73047 | 2 | PIASTRINO AL ATT.SELLA POSTER. | PLATE AI REAR SEAT HOLDER |
| 20 | 67275 | 1 | COPERTINA SELLA MX/EN 4T 2015 | SEAT COVER MX/END 4T 2015 |
| 21 | 67276 | 1 | SPUGNA SELLA 4T M. 2015 | FOAM, SEAT F.S. M.15-> |
| 22 | 67282 | 1 | SELLA CROSS / END 4T M.15-> ALTA | |
| 22 | F67140 | 1 | SELLA CROSS/ENDURO MOD.15-> 4T | SEAT MX/ENDURO 4S M.15-> |



TM0022.1

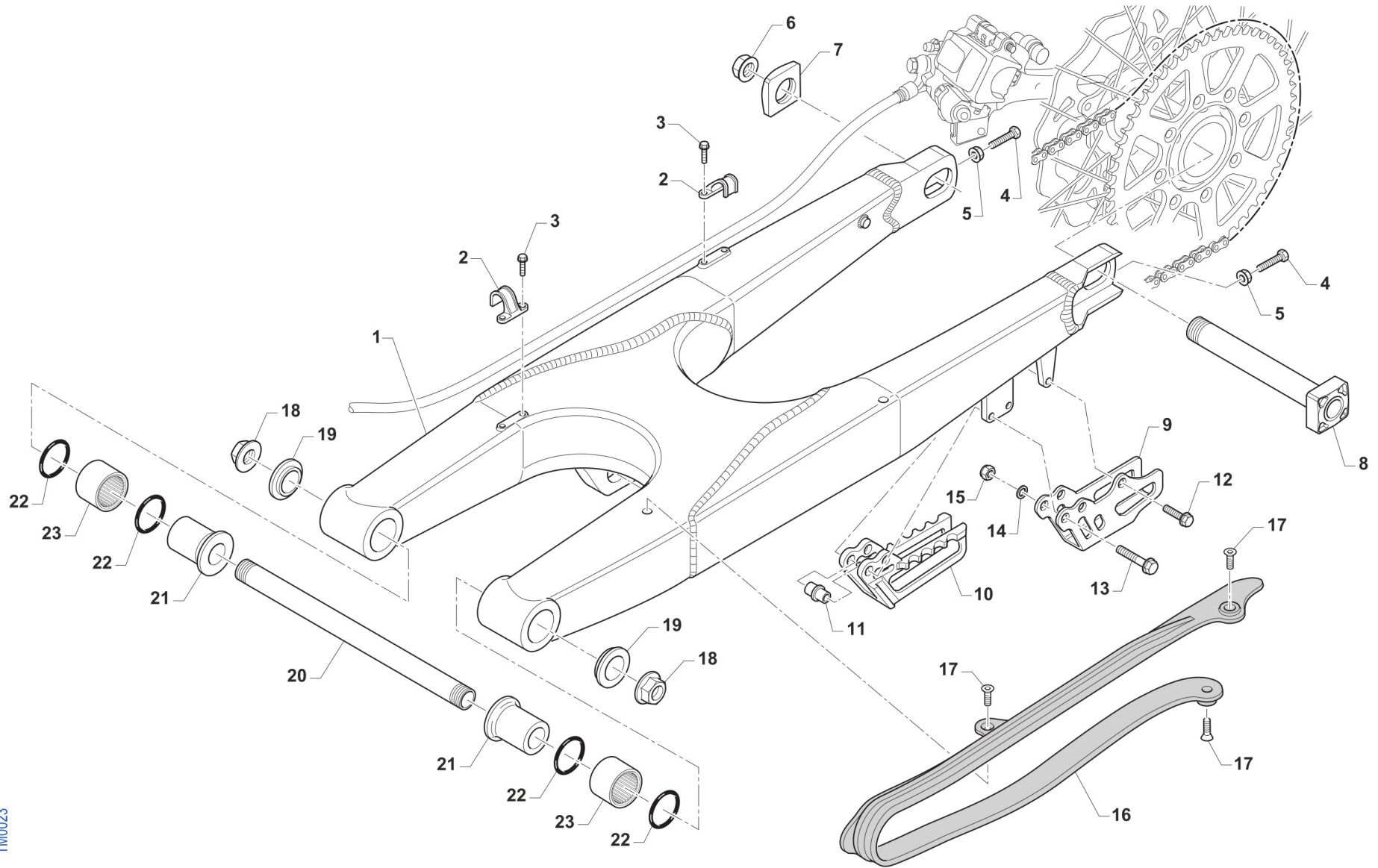


4T300FIENTW21-T
TELAIO - FRAME

SERBATOIO
FUEL TANK

10

| | | | | |
|----|----------|---|---|---|
| 1 | F65137 | 1 | SERBATOIO BENZ. 4T 250/300 TWIN MY 18/21 | FUEL TANK 4S 250/300 TWIN |
| 2 | F65129 | 1 | TAPPO SERBATOIO PST. 4T M15 | CAP, REAR FUEL TANK F.STR.->15 |
| 3 | 12039 | 1 | O RING X TAPPO SERBATOIO 4T 15 | O-RING TANK CAP F.S. 15-> |
| 4 | 65035 | 1 | KIT GOMMINO+SFIATO BIANCO X SERBATOIO 4T M.15-> | JOINT AND RUBBER KIT, FUEL TANK |
| 5 | 16026 | 1 | MOLLA PER TUBO BENZINA 13,3mm | SPRING, FUEL HOSE 13mm |
| 6 | 65032 | 1 | SFIATO SERBATOIO BENZ. 4T M.15-> BLU | BREATHER FUEL TANK F.STROKE M.15-> BLUE |
| 7 | F68108 | 1 | SUPPORTO RELE' STARTER F68102 | ELECTRIC STARTER RELAY HOLDER |
| 8 | 49317 | 1 | VITE TB LARGA 5X10 LAT.SERB.94 | BOLT TB LARGE 5X10 |
| 9 | F26695 | 1 | SUPPORTO RELE' CENTRALINA Euro4 | HOLDER, RELAY |
| 10 | 49374 | 2 | VITE TB LARGA 5X20 | BOLT TB 5X20 |
| 11 | F08348.1 | 1 | GRUPPO ASPIR.CARBUR. 3,5BAR +/-TERM.CON RISERVA | FUEL PUMP ASSY 3,5 BAR W/TERM. |
| 12 | 49754 | 7 | VITE TBCIX 5X20 | BOLT TBCIX 5x20 |
| 13 | F65136 | 1 | CARTER CAVI POMPA BENZINA | PROTECTION, FUEL PUMP CABLES |
| 14 | 49448 | 2 | VITE TBCEI 5X10 UNI 7380 | BOLT TBCEI 5X10 10.9 |
| 15 | F08122 | 1 | RACC.MASCHIO GR.P.BENZ.BITRON | JOINT, FUEL PUMP Fi |
| 16 | F51112 | 2 | FASCETTA OETIKER 016,0-706R | CLAMP OETIKER 016,0-706R |
| 17 | 67036 | 1 | TUBO ANTIBENZINA 8 x 14 OLIO F.P. | HOSE, OIL/FUEL 8x14 |
| 18 | F08370 | 1 | RACCORDO SG.RAPIDO CPC 5/16 C/V | JOINT CPC 5/16 C/V |



TM0023

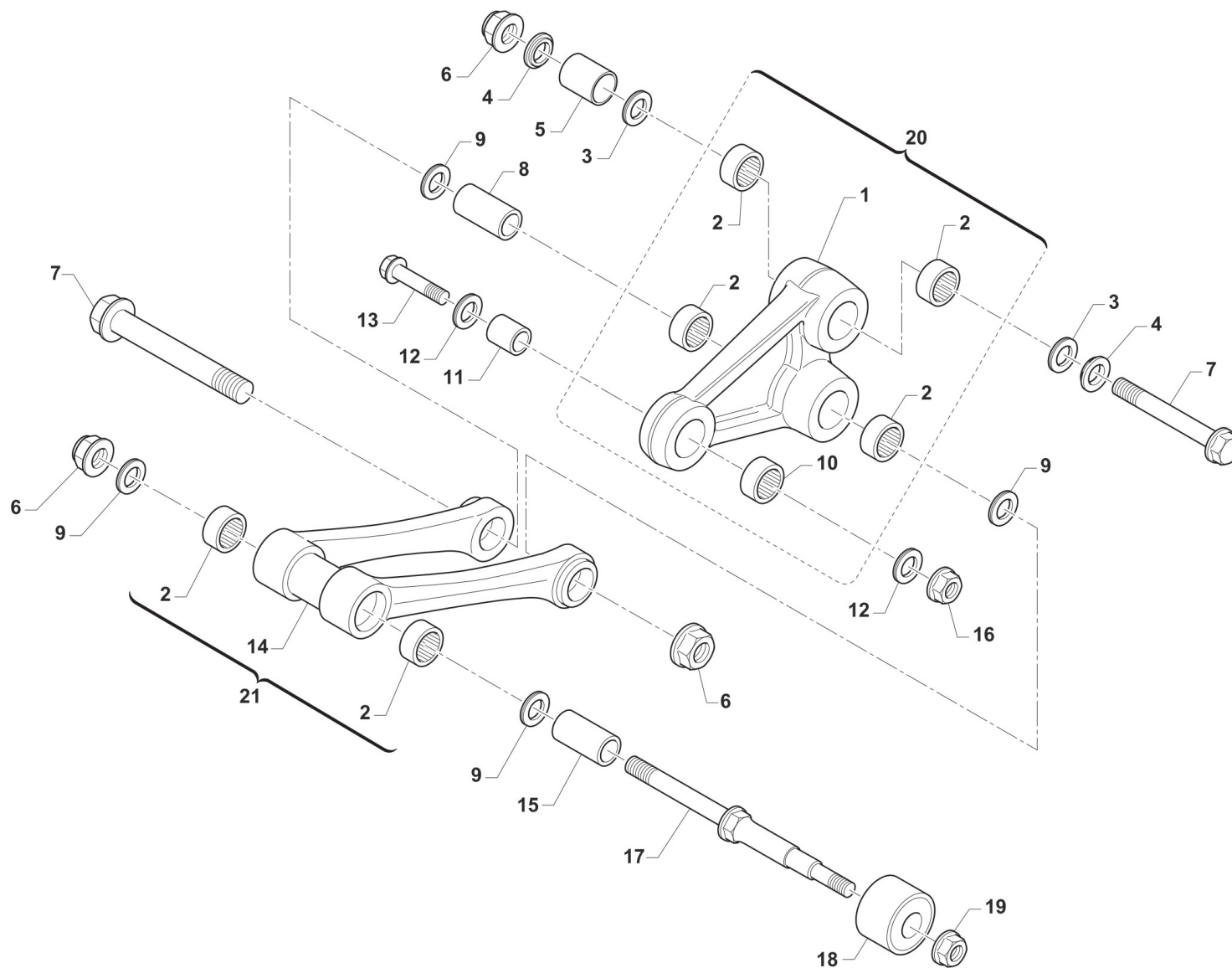


4T300FIENTW21-T
TELAIO - FRAME

FORCELLONE
SWINGARM

11

| | | | | |
|----|----------|---|--------------------------------|--------------------------------|
| 1 | F73474 | 1 | FORCELLONE MOTO 4T M. 2016 | SWINGHARM 4S M.16-> |
| 2 | 67054 | 2 | FERMA TUBO FRENO POST. M.97/-> | RETAIN CLAMP BRAKE HOSE 97/-> |
| 3 | 49794 | 4 | VITE AUTOFOR. 4.8X16 7504 | BOLT, 4,8 X 16 7504 |
| 4 | F49976 | 2 | VITE TE 8X45 ES.10 FORCELLONE | SCREW TE 8X45 SWINGARM |
| 5 | 49640 | 2 | DADO M 8 FLANGIATO CHIAVE 12 | NUT 8mm, FLANGE |
| 6 | 49123 | 1 | DADO PERNO RUOTA POST. M.2015 | NUT, REAR WHEEL AXLE 15 -> |
| 7 | 70140.15 | 1 | TENDICATENA 2015 SENZA FILETTO | ADJ BLOCK, CHAIN 15-THREADLESS |
| 8 | 74055.15 | 1 | PERNO RUOTA POSTERIORE M.15-> | AXLE, REAR WHEEL M.15-> |
| 9 | 73130 | 1 | PASSACATENA ALLUM. MOD. 11/-> | PLATE, CHAIN GUIDE M. 11/-> |
| 10 | 67102.10 | 1 | PASSACATENA NYLON MOD.2011 | GUIDE, CHAIN M. 11/-> |
| 11 | 26092 | 1 | BOCCOLA PASSACATENA M.11-> | BUSH, CHAINGUIDE M11-> |
| 12 | 49370 | 1 | VITE TE F/R 6X12 | BOLT 6X12 |
| 13 | 49362 | 2 | VITE TE F/R 6X50 Ch.8 | BOLT 6X50 T.8 |
| 14 | 49603 | 2 | RONDELLA M 6,4 X 12 X 1,6 | WASHER 6x12 |
| 15 | 49638 | 2 | DADO M 6 ALTO AUTOBLOCCANTE | NUT 6mm, HIGHT SELF-LOCKING |
| 16 | 67099.15 | 1 | PROTEZIONE FORCELLONE M.2015 | SWINGHARM PROTECTION M.2015 |
| 17 | 49396 | 3 | VITE TSEI 5X10 | BOLT TSEI 5X10 |
| 18 | 49095 | 2 | DADO 16 FORCELLONE MOTO 95/10 | NUT, SWINGARM AXLE M. 95/05 |
| 19 | 73115 | 2 | COPERCHIO BOCCOLA FORC. M08-> | COLLAR, SWINGARM M.08 |
| 20 | 74056 | 1 | PERNO FORCELLONE MOD. 08/-> | AXLE SWINGARM M. 08-> |
| 21 | 73112 | 2 | BOCCOLA FORC. 08/-> F16(30X49) | BUSH, SWINGARM 08-> H.16 30X49 |
| 22 | 12102 | 4 | O RING LEVERAGGIO & FORCELLONE | O-RING, LINKAGE & SWINGARM |
| 23 | 19043 | 2 | ASTUCCIO A RULLI HK 20/30 | NEEDLE CAGE HK 20/30 |



TM0024

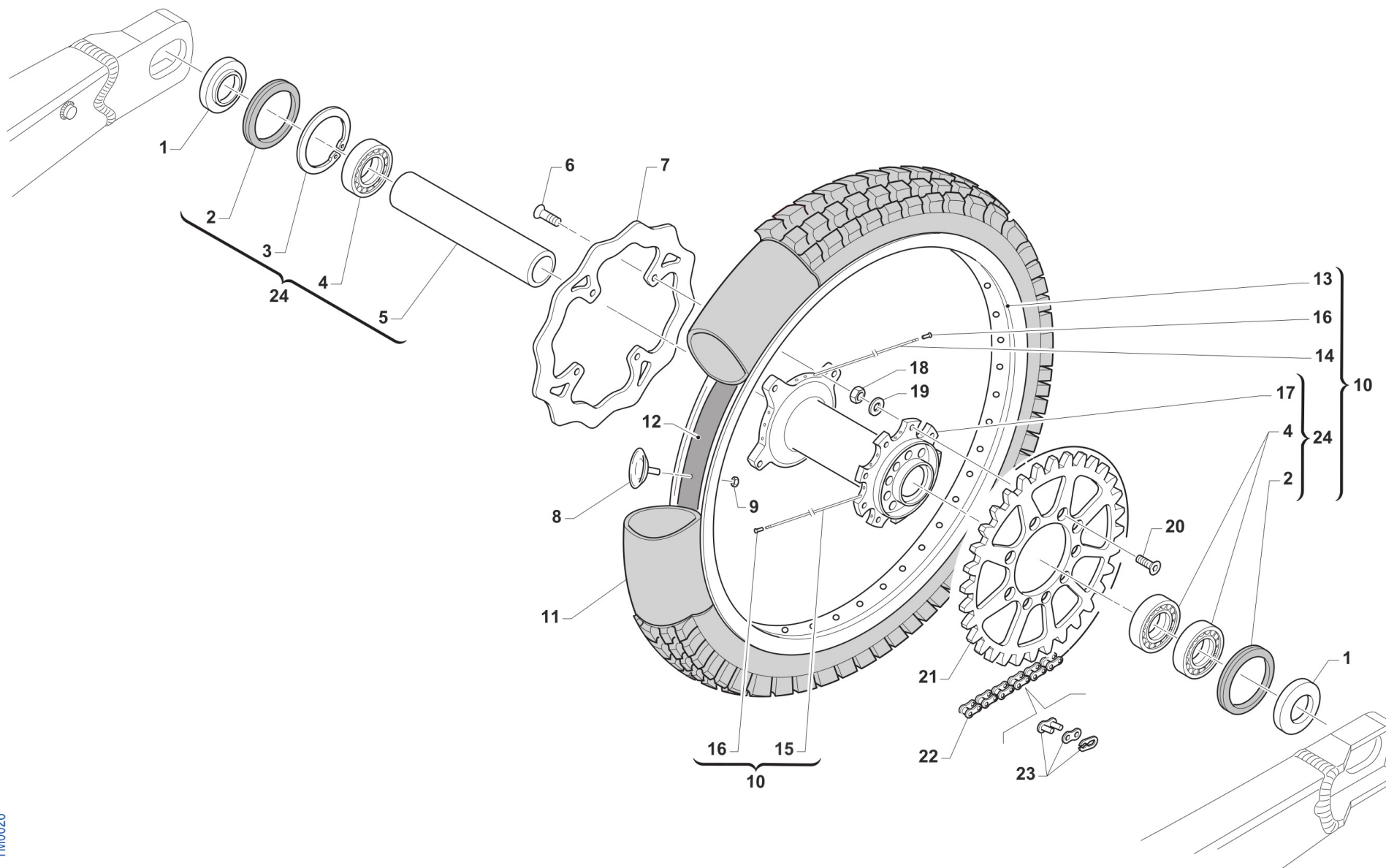


4T300FIENTW21-T
TELAIO - FRAME

LEVERAGGI
LINKAGE

12

| | | | | |
|----|----------|---|--------------------------------------|----------------------------------|
| 1 | 73145 | 1 | TRIANGOLO SOSP. MY 15/22 NUDO | ARM |
| 2 | 19106 | 6 | GABBIA A RULLI 26X20H16 TR.FO. | BUSH NEEDLE CAGE 26 X 20 H16 |
| 3 | 12010 | 2 | O RING ORM 0240-30 TRIANG.05/6 | O-RING, LINKAGE 05/6 ORM 0240-30 |
| 4 | 73075 | 2 | COPERCHIO BOCCOLA TRIANG '05 | COVER, BUSH |
| 5 | 73211 | 1 | BOCCOLA TRIANGOLO LEVER.05/-> | BUSH, ARM RELAY 12X20X38 |
| 6 | 49682 | 3 | DADO M12X1,25 FLANG.AUTOBL.AC | NUT, M 12 x 1,25 FLANGE SL |
| 7 | 49345 | 2 | VITE TE F/R 12X90 1.25 Ch13 | BOLT TE F/R 12X90 1.25 T.13 |
| 8 | F73416 | 1 | BOCCOLA TRIANG. 20x48F12 05/-> | COLLAR, ROD M.04 12x20x48 |
| 9 | 12102 | 4 | O RING LEVERAGGIO & FORCELLONE | O-RING, LINKAGE & SWINGARM |
| 10 | 19101 | 1 | GABBIA RULLI DL 18/12 TRIANG. | BUSH NEEDLE CAGE DL 18/12 |
| 11 | 73214 | 1 | BOCCOLA 18 X 20 F.10 TRIANGOLO 07/-> | COLLAR, ARM ASSY 10 18X20 M.07 |
| 12 | F12312 | 2 | O RING FILTRO OLIO P.ASPIRAZ.+LEV. | O-RING, OIL FILTER |
| 13 | 49347.1 | 1 | VITE TE F/R 10X43 1.25 Ch.13 | BOLT TE F/R 10X43 1.25 T.10 |
| 13 | 49791 | 1 | VITE TE F/R 10X39 1.25 T.AL08 | BOLT, M10X1.25X39 ALU.FRAME08 |
| 14 | 73144 | 1 | TRAPEZIO SOSP. MY 15/22 NUDO | CONROD LINKAGE MY.15 |
| 15 | 73204 | 1 | BOCCOLA TRAPEZIO 20 x 74 F.12 | BUSHING 20x74x12, ROD SUSP. 05 |
| 16 | F49962 | 1 | DADO M 10 X 1,25 CH 14 FLANGIATO | NUT, M10 X 1,25 KEY 14 |
| 17 | 49790 | 1 | PERNO SNODO BIELLA/ROT.CAT.M08 | PIVOT, LINKAGE/ROLLER 08/-> |
| 18 | 67088.08 | 1 | ROTELLA CATENA M. 08/-> | CHAIN ROLLER 08/-> |
| 19 | 49676 | 1 | DADO M 6X1 FLANG. AUTOBL.ACC. | NUT, FLANGED M6 X 1 S.B. |
| 20 | 73016.15 | 1 | TRIANGOLO SOSP. MY 15/22 CPL | ARM ASSY RELAY M.Y.2015 |
| 21 | 73059.15 | 1 | TRAPEZIO SOSP. MY 15/22 CPL | ROS, ASSY |



TM0026



4T300FIENTW21-T
TELAIO - FRAME

RUOTA POSTERIORE
REAR WHEEL

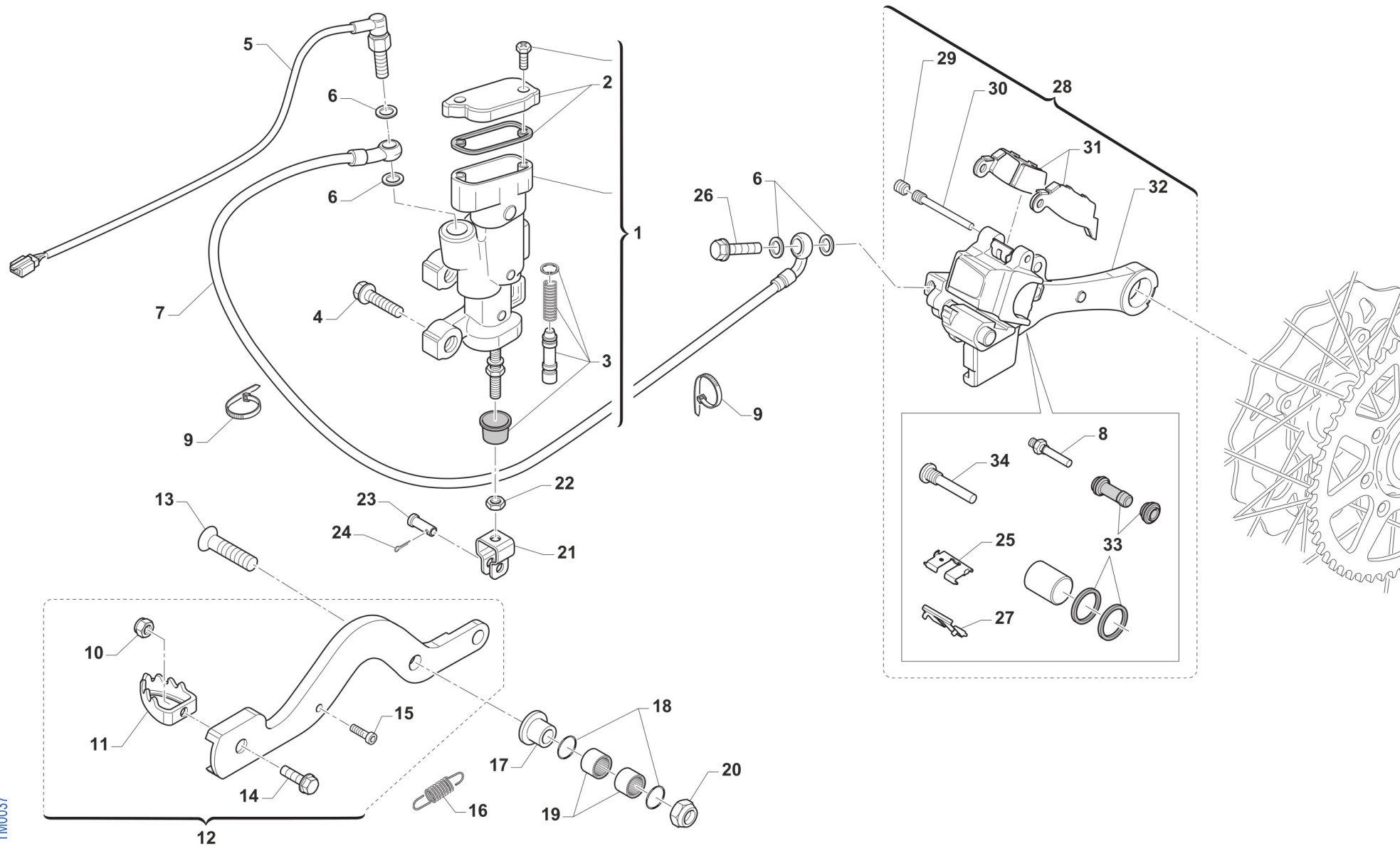
| | | | | | |
|----|----------|----|-----------|---|--------------------------------|
| 1 | 70241 | 2 | | DISTANZ. RUOTA PST. 2015 DX/SX | COLLAR REAR WHEEL LE.RI. 15-> |
| 2 | 04074 | 2 | | PARAPOLVERE RUOTA POST. MOD.15-> | DUST SEAL, REAR WHEEL 15 -> |
| 3 | 49257 | 1 | | SEEGER I 43 mm | CIRCLIP D. 43 INTERNAL |
| 4 | 03071 | 3 | | CUSCINETTO RUOTA ANTER. + POSTER. | BUSH, FRONT WHEEL MA50 61905 |
| 5 | 70240 | 1 | | DIST.INT.MOZZO RUOTA PST.15 3C 114,2x31 SP2.7 | SPACER INT.REAR WHEEL M.15-> |
| 6 | 49443 | 4 | | VITE TE 6X16 (10.9) | SCREW TE 6X16 |
| 7 | 69261 | 1 | | DISCO FRENO PST.2015 240x114 DF840W | DISC, REAR BRAKE 15-> 240X114 |
| 8 | 70027 | 1 | | FERMA COPERTURA POST. 1.85 | STOPPER 1,85, TUBE |
| 9 | 49640 | 1 | | DADO M 8 FLANGIATO CHIAVE 12 | NUT 8mm, FLANGE |
| 10 | 70145.15 | 1 | | CERCHIO PST. CPL 18X1.85 2015 | REAR RIM ASSY 18x1.85 MY 15-> |
| 11 | 80151 | 1 | | CAMERA ARIA POSTERIORE 18 | TUBE, TYRE 18 |
| 12 | 70033 | 1 | | FLAP RUOTA POSTERIORE 18 | FLAP REAR WHEEL 18 |
| 13 | 70052 | 1 | 18"x1.85" | CERCHIO POST 18x1.85 TAKASAGO BLU | REAR RIM 1.85x18 Takasago |
| 14 | 70270 | 18 | 192 | RAGGIO R.PST.4.0/3.3/4.0 X 192 | SPOKE R.WHEEL 4.0/3.3/4.0 X192 |
| 15 | 70271 | 18 | 199 | RAGGIO R.PST.4.0/3.3/4.0 X 199 | SPOKE R.WHEEL 4.0/3.3/4.0 X199 |
| 16 | 70062 | 36 | | NIPPLO ACCIAIO 4 | SPOKE NIPPLE 4 mm |
| 17 | 70119.3 | 1 | | MOZZO POSTERIORE 2015 3C NUDO | REAR HUB MY 2015 |
| 18 | 49643 | 9 | | DADO M 8 BASSO AUTOBLOCCANTE | NUT 8mm, LOW SELF-LOCKING |
| 19 | 49611 | 9 | | RONDELLA ACCIAIO 8 | WASHER STEEL 8mm |
| 20 | 49421 | 9 | | VITE TSEI 8X25 | BOLT TSEI 8X25 |
| 21 | 70103.48 | 1 | | CORONA CATENA Z 48 M. 86/-> | SPROCKET 48T, REAR, M.86/-> |
| 21 | 70103.49 | 1 | | CORONA CATENA Z 49 M. 86/-> | SPROCKET 49T, REAR, M.86/-> |
| 21 | 70103.50 | 1 | | CORONA CATENA Z 50 M. 86/-> | SPROCKET 50T, REAR, M.86/-> |
| 21 | 70103.51 | 1 | | CORONA CATENA Z 51 M. 86/-> | SPROCKET 51T, REAR, M.86/-> |
| 21 | 70103.52 | 1 | | CORONA CATENA Z 52 M. 86/-> | SPROCKET 52T, REAR, M.86/-> |
| 21 | 70103.53 | 1 | | CORONA CATENA Z 53 M. 86/-> | SPROCKET 53T, REAR, M.86/-> |
| 21 | 70290.50 | 1 | | CORONA CATENA Z 50 M. 86/-> ZF | SPROCKET 50T MY 86-> ZF |
| 21 | 70290.51 | 1 | | CORONA CATENA Z 51 M. 86/-> ZF | SPROCKET 51T MY 86-> ZF |



4T300FIENTW21-T
TELAIO - FRAME

RUOTA POSTERIORE
REAR WHEEL

| | | | | |
|----|----------|---|-------------------------------------|---------------------------------------|
| 21 | 70290.52 | 1 | CORONA CATENA Z 52 M. 86/-> ZF | SPROCKET 52T MY 86-> ZF |
| 21 | 70291.48 | 1 | CORONA BLU/NERA ALLU/ACCIAIO Z48 ZF | SPROCKET BLUE/BLACK ALU/STEEL 48 T ZF |
| 21 | 70291.49 | 1 | CORONA BLU/NERA ALLU/ACCIAIO Z49 ZF | SPROCKET BLUE/BLACK ALU/STEEL 49 T ZF |
| 21 | 70291.50 | 1 | CORONA BLU/NERA ALLU/ACCIAIO Z50 ZF | SPROCKET BLUE/BLACK ALU/STEEL Z50 ZF |
| 21 | 70291.51 | 1 | CORONA BLU/NERA ALLU/ACCIAIO Z51 ZF | SPROCKET BLUE/BLACK ALU/STEEL 51T ZF |
| 21 | 70291.52 | 1 | CORONA BLU/NERA ALLU/ACCIAIO Z52 ZF | SPROCKET BLUE/BLACK ALU/STEEL 52 T ZF |
| 22 | 70141 | 1 | CATENA REGINA 135ZRA 116MG | REGINA CHAIN 135 ORC 116 |
| 23 | 70091 | 1 | GIUNTO CATENA 135 O RING | CHAIN JOINT 135 O RING |
| 24 | 70119.15 | 1 | MOZZO POSTERIORE 2015 CPL | REAR HUB 2015 -> ASSY |



TM0037



**4T300FIENTW21-T
TELAIO - FRAME**

**FRENO POSTERIORE
REAR BRAKE**

14

| | | | | |
|----|----------|---|---|------------------------------------|
| 1 | 69181 | 1 | POMPA FRENO POST 05/-> INTEGR | BRAKE PUMP, REAR NISSIN M.05-> |
| 2 | 69321 | 1 | KIT TAPPO/GUARN. POMPA PST NIS | CAP AND RUBBER |
| 3 | 69084.05 | 1 | KIT REV. PIST.POMPA POST.05/-> | KIT, REV. REAR MASTER CYL.05-> |
| 4 | 49574 | 2 | VITE TBCE 6X12 PROT.FORCELLA | BOLT TBCE 6x12 |
| 5 | 68061 | 1 | INTERRUT. IDR. STOP NISSIN 90 GRADI | SWITCH,IDR.NISSIN 10x1.25 1/12 |
| 6 | 69034 | 4 | RONDELLA X BULLONE FREN B22001 | WASHER B22001, BRAKE HOSE |
| 7 | F69519 | 1 | TUBO FRENO POSTERIORE M. 11/-> | HOSE, RR BRAKE M. 11/-> |
| 8 | 69232 | 1 | PERNO X PINZA FRENO POST.05/12 | PIN, RR BRAKE CALIPER 05/12 |
| 9 | 51037 | 2 | FASCETTA NYLON 200 X 3,6 | NYLON CLAMP |
| 10 | 49629 | 1 | DADO M 5 ALTO AUTOBLOCCANTE | NUT 5mm, HIGHT SELF-LOCKING |
| 11 | 69002.99 | 1 | PARTE ANT.PED.FRENO POST.99/-> | PIT, RR BRAKE PEDAL 99/-> |
| 12 | 69000.08 | 1 | PEDALE F.POST 80/125 08/21250/300 ES 2T 19/21250/300 4T 11/21 | BRAKE PEDAL, 80/125/144 08/-> |
| 13 | 49425 | 1 | VITE TSEI 8X45 | BOLT TSEI 8 x 45 |
| 14 | 49400 | 1 | VITE TSEI 5X14 | BOLT TSEI 5x14 |
| 15 | 49556 | 1 | VITE TBCE 4X10 | BOLT TBCE 4x10 |
| 16 | F16434 | 1 | MOLLA PEDALE FRENO M.08 T.AL. | SPRING, RR BRAKE PEDAL 08/-> |
| 17 | 69205 | 1 | BOCCOLA FRENO POST T.AL 08/-> | BUSH, REAR BRAKE 08/-> |
| 18 | 12051 | 2 | O RING FRENO POST. PEDALE | O-RING REAR BRAKE PEDAL BUSH |
| 19 | 19044 | 2 | GABBIA A RULLI FRENO POST. | NEEDLE BUSH REAR BRAKE PEDAL |
| 20 | 49680 | 1 | DADO M 8 X 1,25 CH 12 FLANG. AUTOBLOCK | NUT, M 8X1,25 FLANG. SB |
| 21 | 69125 | 1 | FORCHETTINA POMPA FRENO POS.05 | FORK, REAR BRAKE 05 |
| 22 | 49636 | 1 | DADO M 6 | NUT M6 |
| 23 | 69012.05 | 1 | PERNO SNODO FRENO POST. MY 05-> | PIN REAR BRAKE MASTER CYL. MY 05-> |
| 24 | 68997 | 1 | COPIGLIA PEDALE FRENO | COTTER PIN BRAKE PEDAL |
| 25 | 69309 | 1 | PIASTR.FERMA P.NISSIN RETAINER | RETAINER BRAKE PADS NISSIN |
| 26 | 69094 | 1 | BULLONE 10X1.25 T.FRENO NISSIN 03 | BOLT,10X1,25 BRAKE HOSE NISSIN |
| 27 | 69086 | 1 | LAMIERINO PINZA POST NIS 01/-> | PLATE, REAR BRAKE CALIPER 01-> |
| 28 | 69185.15 | 1 | PINZA FRENO POST. 15-> NISSIN | BRAKE CALIPER, REAR, M. 15/-> |

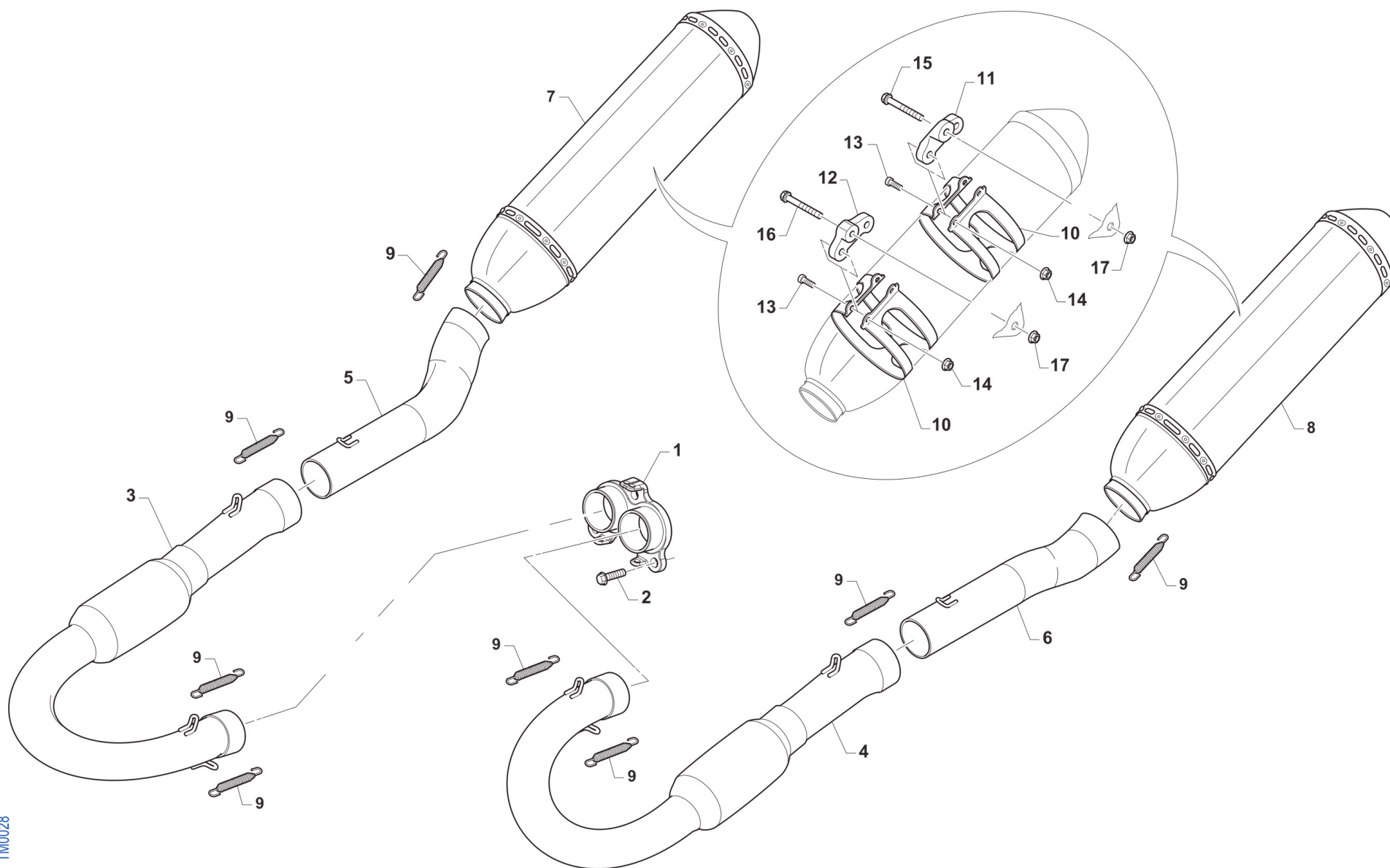


4T300FIENTW21-T
TELAIO - FRAME

FRENO POSTERIORE
REAR BRAKE

14

| | | | | |
|----|----------|---|-------------------------------------|--|
| 29 | 69087 | 1 | GRANO PERNO 69088 NISSIN 01/11 | SCREW PLUG FOR BRAKE PIN 01/07 |
| 30 | 69088 | 1 | PERNO PAST. POST NISSIN 01/11 | PIN, RR BRAKE NISSIN M. 01/-> |
| 31 | 69096.05 | 1 | PASTIGLIE FRENO POST. M.05-> NISSIN | PAD ASSY, RR BRAKE NISSIN MY 05-> |
| 32 | 69285.15 | 1 | SUPPORTO PINZA FR.PST.NIS15/-> | HOLDER, REAR BRAKE CALIPER |
| 33 | 69258 | 1 | KIT REV.GOMM. PINZA PST 05/-> | REAR BRAKE CALIPER RUBBER REVIEW 05/-> |
| 34 | 69257 | 1 | PERNO/VITE PINZA POST.01/-> | PIN, RR BRAKE CALIPER 01-> NI. |



TM0028

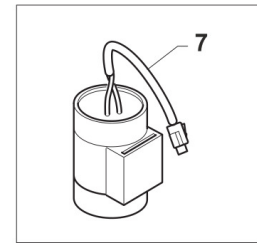
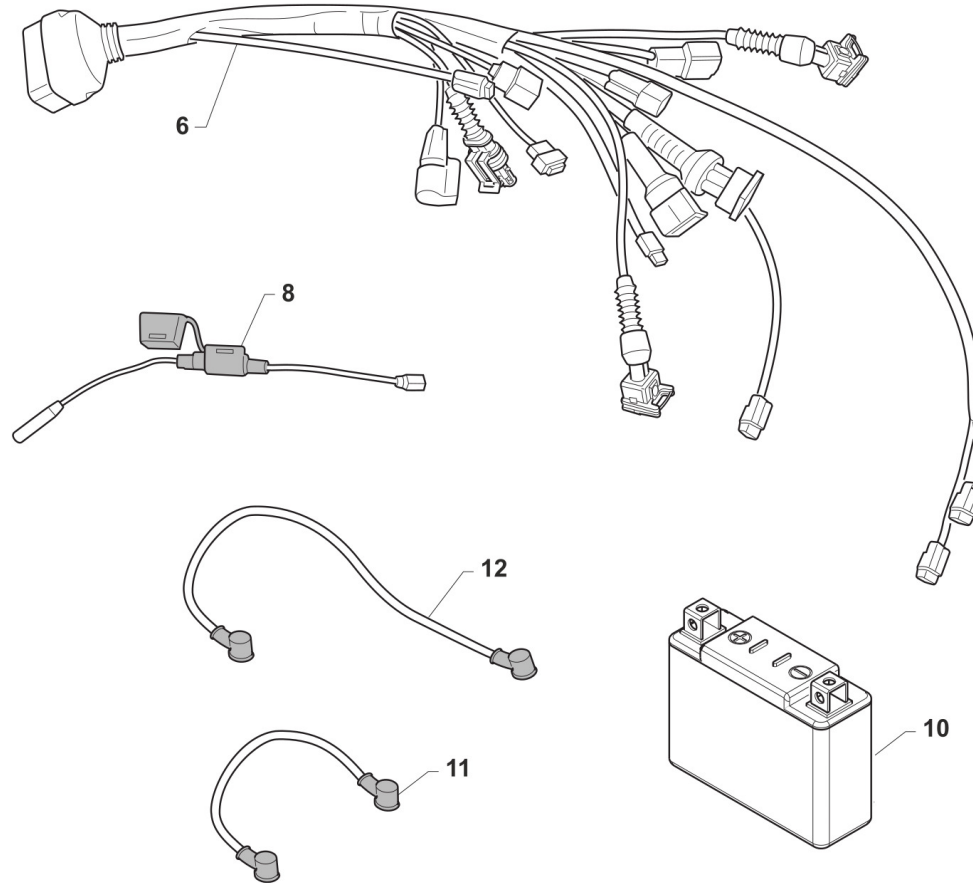
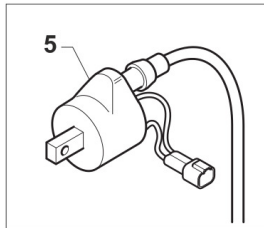
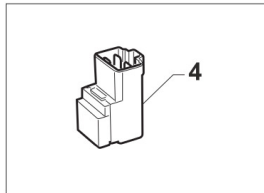
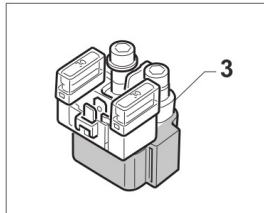
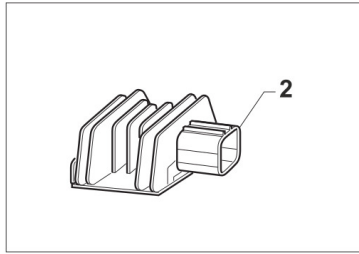
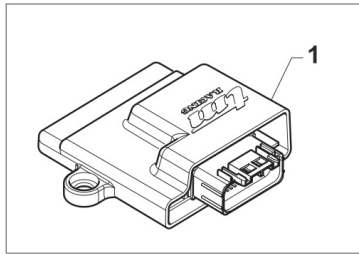


4T300FIENTW21-T
TELAIO - FRAME

SCARICO
EXHAUST SYSTEM

15

| | | | | | |
|----|--------|---|------|--|---|
| 1 | F27580 | 1 | | COLLET. PRIM. 250/300Fi 4T TWIN | MANIFOLD, PRIMARY, 250/300 4S TWIN |
| 2 | 49483 | 3 | | VITE TCEI 6X16 UNI 5931 | BOLT TCEI 6X16 |
| 3 | F27621 | 1 | MY20 | COLLET. SEC. 250/300 Fi MX MY2020 DX(USE ONLY FOR RACES) | PIPE, 2ND, 250/300 4S TWIN, RH SIDE(USE ONLY FOR RACES) |
| 4 | F27620 | 1 | MY20 | COLLET. SEC. 250/300 Fi MX MY2020 SX(USE ONLY FOR RACES) | PIPE, 2ND, 250/300 4S TWIN, LH SIDE(USE ONLY FOR RACES) |
| 5 | F27609 | 1 | | COLLET. CENTR. 250Fi MX MY18 DX | PIPE, 3ND, 250/300 4S TWIN, RH SIDE |
| 6 | F27608 | 1 | | COLLET. CENTR. 250Fi MX MY18 SX | PIPE, 3ND, 250/300 4S TWIN, LH SIDE |
| 7 | F27607 | 1 | | SILENZ. 250Fi MX MY18 DX | SILENCER, 250Fi RH |
| 8 | F27606 | 1 | | SILENZ. 250Fi MX MY18 SX | SILENCER, 250Fi LH |
| 9 | F27476 | 8 | | MOLLA TR. X SCARICO M08 MM42 | SPRING, EXHAUST MM42 INOX |
| 10 | F27612 | 4 | | FASCIA SILENZ. HGS MX17RC | BAND, TWIN SILENCER |
| 11 | F27605 | 2 | | PIASTRINO SILENZIATORE SMX | PLATE, SILENCER SMX |
| 12 | F27570 | 2 | | PIASTRINO SC.250Fi MX ANT 2015 | PLATE, EXH.250Fi MX FRONT 15-> |
| 13 | 49474 | 8 | | VITE TCEI 5X16 UNI 5931 | BOLT TCEI 5X16 |
| 14 | 49701 | 8 | | DADO M 5 FLANGIATO VALV. | NUT 5mm, FLANGED VALV. |
| 15 | 49485 | 2 | | VITE TCEI 6X25 UNI 5931 | BOLT TCEI 6x25 |
| 16 | 49486 | 2 | | VITE TCEI 6X30 UNI 5931 | BOLT TCEI 6X30 |
| 17 | 49676 | 2 | | DADO M 6X1 FLANG. AUTOBL.ACC. | NUT, FLANGED M6 X 1 S.B. |



TM0029.19

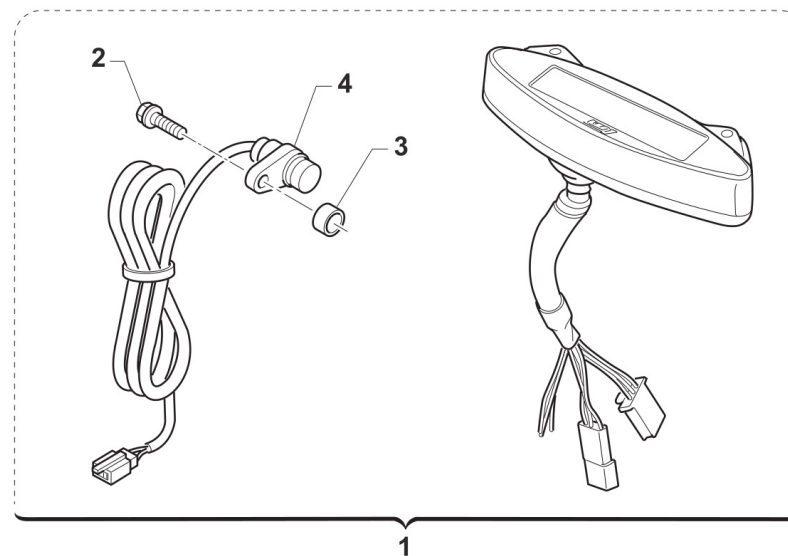
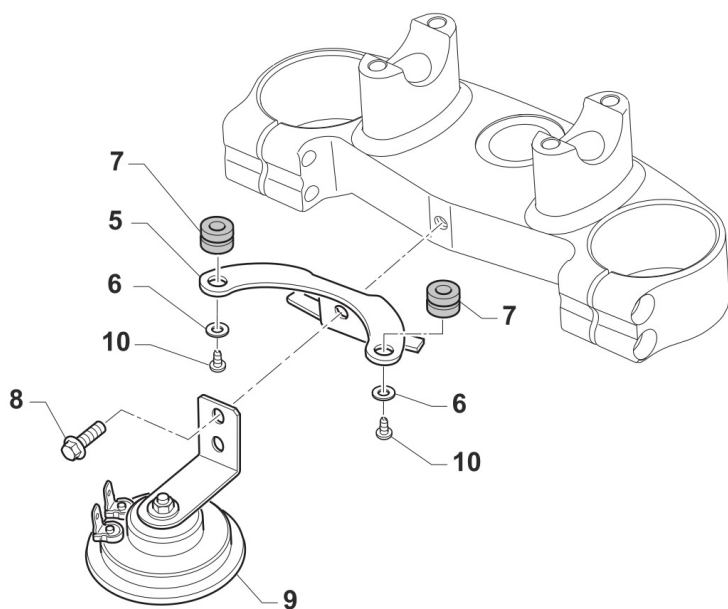


4T300FIENTW21-T
TELAIO - FRAME

CABLAGGI
WIRING

16

| | | | | | |
|----|----------|---|------|---|--|
| 1 | F08392.0 | 1 | MY20 | MAPPA PER END 300 4T VERSIONE E4 2019 (ECU EM007) F08392_0 | |
| 2 | F15559 | 1 | MY20 | REGOLATORE KOKUSAN RX4513 ZERO | REGULATOR KOKUSAN RX4513 |
| 3 | F68102 | 1 | | RELAY AVV. ELETTRICO 2 e 4 TEMPI | RELAY, ELECTRIC STARTER |
| 4 | F68212 | 1 | | RELAY AVV. ELETTRICO PAN. M2015-> | RELAY EL. STARTER M.-> 15 |
| 5 | F15458 | 1 | | BOBINA KOKUSAN 4T MX PICCOLA | COIL, INGNITION KOK IG5132 |
| 6 | F68305 | 1 | | CABLAGGIO 4T 250Fi MX/EN TWIN MY 2019 | WIRING MAIN 250/300 4S TWIN MX/EN MY 19/20 |
| 7 | F15557 | 1 | | CONDENSATORE SHINDENGEN ADP19 NERO! CILINDRICO! | CAPACITOR SHINDENGEN ADP19 |
| 8 | F68131 | 1 | | PORTAFUSIBILE MOTO 4T | |
| 9 | F68142 | 1 | | TRECCIA DI MASSA T.AL.08 4T F6 | EARTH CABLE |
| 10 | 68234 | 1 | | BATTERIA ALIANT YLP09X 12V EQ. 8AH | BATTERY LITHIUM ION <100WH YLP09X 12V8AH |
| 11 | F68213 | 1 | | CAVO BATTERIA ROSSO M. 2015 | WIRE BATTERY RED M.15-> |
| 12 | F68214 | 1 | | CAVO BATTERIA NERO M. 2015 | WIRE BATTERY BLACK M.15-> |



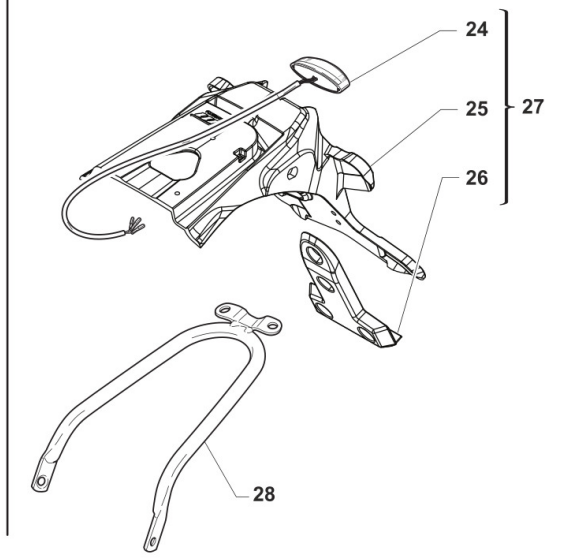
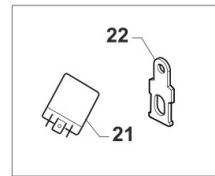
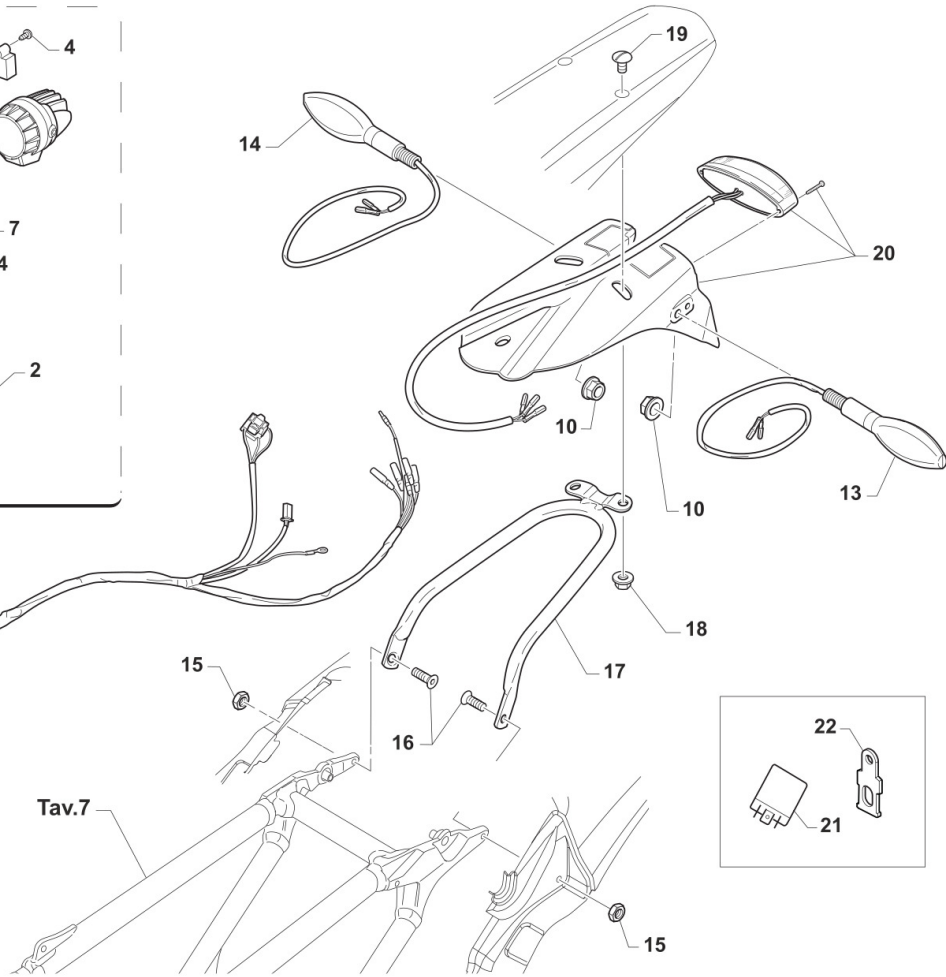
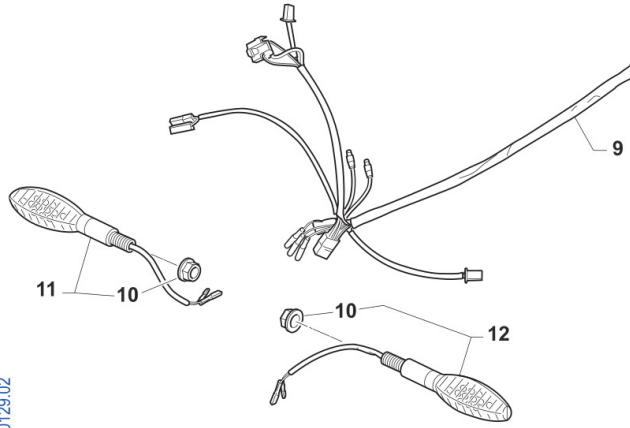
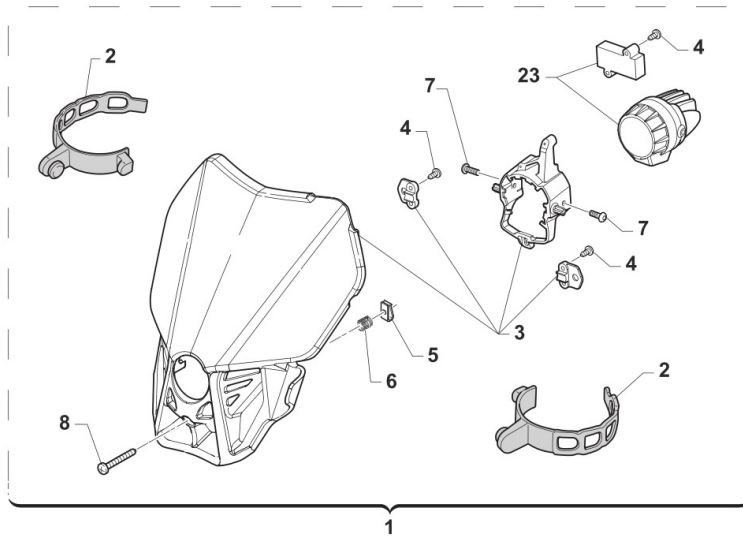


4T300FIENTW21-T
TELAIO - FRAME

CONTA KM
SPEEDMOTER

17

| | | | | |
|----|---------|---|---|--|
| 1 | 64130 | 1 | CONTACHILOMETRI DIG.M.17 CPL CON CABLAGGIO 64125.2 | SPEEDOMETER DIG. MY17-> W/WIRE 64125.2 |
| 2 | 49356 | 1 | VITE TE F/R 6X20 Ch.8 | BOLT 6X20 T.8 |
| 3 | 26115 | 1 | BOCCOLA SENSORE CKM KOSO 08 | BUSH, SENSOR SPEEDOMETER 08 |
| 4 | 64125.2 | 1 | CABLAGGIO SENSORE C/KM 2012 | WIRING CABLE, W/SENSOR SPEEDM. |
| 5 | F64349 | 1 | SUPPORTO CONTACHILOMETRI EU4 | HOLDER, SPEEDOMETER eu 4 |
| 6 | 49982 | 2 | RONDELLA 4x12x1 x CONTA/KM 64130 | WASHER |
| 7 | 21045 | 2 | GOMMINO C/CHILOM. & CDI 08/11 | RUBBER, SPEEDOMETER/CDI 08/13 |
| 8 | 49370 | 1 | VITE TE F/R 6X12 | BOLT 6X12 |
| 9 | F68110 | 1 | CLACSON C/C NO RETTIFICAT. 4T | HORN |
| 10 | 49553 | 2 | VITE TCEI 4X8 | BOLT TCEI 4X8 |



0129.02



4T300FIENTW21-T
TELAIO - FRAME

FANALERIA
LIGHTING

| | | | | | |
|----|----------|---|------|---|-------------------------------------|
| 1 | 67043.20 | 1 | MY20 | PORTAFARO CPL BLU C/FARO LED MY20-> | LED HEADLIGHT ASSY BLUE MY20-> |
| 1 | 67221.20 | 1 | MY20 | PORTAFARO CPL BIANCO C/FARO LED MY20-> | HEADLIGHT LED MY20, WHITE |
| 2 | 67220.7 | 2 | | ELASTICO PORTAFARO X 67043.12/20 | ELASTIC FOR HEADLIGHT 67043.12 / 20 |
| 3 | 67291 | 1 | MY20 | PORTAFARO NUDO MY20 BLU (X 67043.20) | HEADLIGHT ONLY PLASTIC BLU |
| 3 | 67295 | 1 | MY20 | PORTAFARO NUDO MY20 BIANCO (X 67221.20) | HEADLIGHT ONLY PLASTIC WHITE |
| 4 | 49802 | 5 | MY20 | VITE PARKER 3.5X 13 | SCREW PARKER 3,5X13 |
| 5 | 51092 | 1 | MY20 | PRESTOLA M4 10 X 15 | RANGE CHANGE MET.NUT M4 10 X 15 |
| 6 | 16072 | 1 | MY20 | MOLLA REGOLAZIONE FARO LED 2020 X 67043.20 | SPRING |
| 7 | 49785 | 2 | MY20 | VITE TBCE 5X 6 | BOLT TBCE 5X6 |
| 8 | 49309 | 1 | MY20 | VITE T.C. 4X20 | BOLT TC 4X20 |
| 9 | F68308 | 1 | MY20 | CABLAGGIO ELET.C/FRECCE LED 250/300 END.4T MY20 | WIRING, LIGHT, MY20 LED |
| 10 | F49962 | 4 | MY20 | DADO M 10 X 1,25 CH 14 FLANGIATO | NUT, M10 X 1,25 KEY 14 |
| 11 | 68251.1 | 1 | MY20 | FRECCIA ANTERIORE LED DX | FLASHER LED, FRONT RH |
| 12 | 68251.2 | 1 | MY20 | FRECCIA ANTERIORE LED SX | FLASHER LED, FRONT LH |
| 13 | 68251.4 | 1 | MY20 | FRECCIA POSTERIORE LED SX | FLASHER LED, REAR LH |
| 14 | 68251.3 | 1 | MY20 | FRECCIA POSTERIORE LED DX | FLASHER LED, REAR RH |
| 15 | 49676 | 2 | | DADO M 6X1 FLANG. AUTOBL.ACC. | NUT, FLANGED M6 X 1 S.B. |
| 16 | 49407 | 2 | | VITE TSEI 6X25 | BOLT TSEI 6X25 |
| 17 | 73096.15 | 1 | | SUPP. PARAFANGO POST M. 2015 | HOLDER, REAR MUDGUARD M.15-> |
| 18 | 49676 | 2 | | DADO M 6X1 FLANG. AUTOBL.ACC. | NUT, FLANGED M6 X 1 S.B. |
| 19 | 49316 | 2 | | VITE TB LARGA 6X20-SUPP.PARAF. | SCREW TB LARGE 6X20 |
| 20 | 67135.08 | 1 | | PORTATARGA MOD. 08/-> CPL | TAILLIGHT ASSY MOD. 08/-> |
| 21 | 68250 | 1 | MY20 | CENTRALINA INTERM.FREC. 2019 Lampade led | CDI, FLASHER |
| 22 | F26717 | 1 | MY20 | SUPPORTO RELE' FRECCIE LED 2020 | HOLDER |
| 23 | 68258 | 1 | | FANALE P.FARO A LED MY2020 | |
| 24 | 67351 | 1 | | FANALINO POST. LED KOSO HAWKEYE | |
| 25 | F67210 | 1 | | PORTATARGA MY2021 NUDO | |
| 26 | F67181 | 1 | | SUPPORTO CATADIOTTRO MY2022 | |

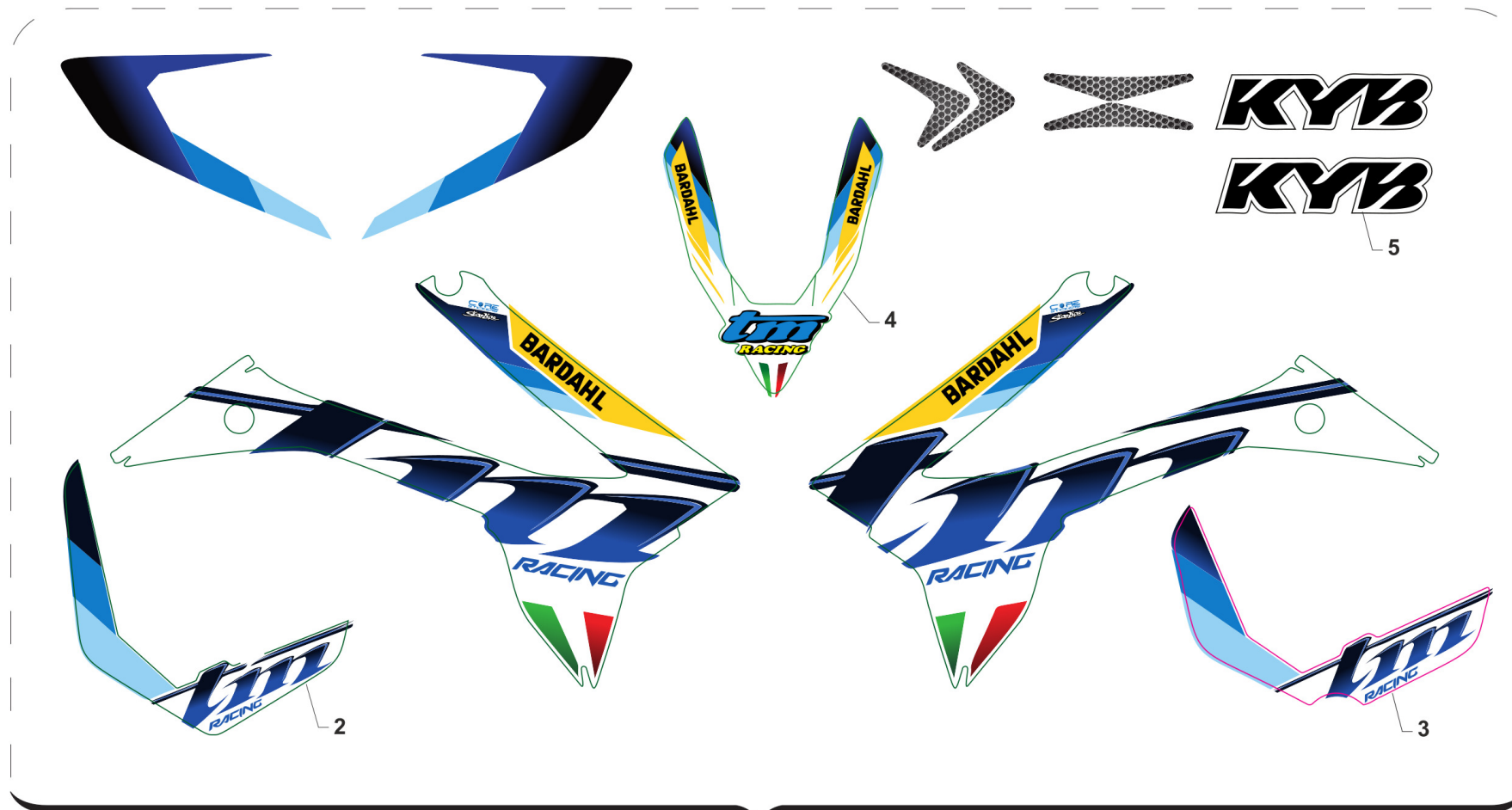


4T300FIENTW21-T
TELAIO - FRAME

FANALERIA
LIGHTING

18

| | | | |
|----|----------|---|------------------------------|
| 27 | F67211 | 1 | PORTATARGA MY2021 COMPLETO |
| 28 | 73096.21 | 1 | SUPP. PARAFANGO POST M. 2021 |



6



8



7



9



4T300FIENTW21-T
TELAIO - FRAME

KIT ADESIVI
STICKERS KIT

| | | | | |
|---|-----------|---|--------------------------------|-------------------------------|
| 1 | 94148.21 | 1 | KIT ADESIVI MY 2021 4T + 2T Fi | STICKERS MY 21 F.S. + T.S. Fi |
| 2 | 94160.21 | 1 | KIT AD. M.21 ADESIVO P.NUM.ANT | |
| 3 | 94161.21 | 1 | KIT AD. M.21 ADESIVO PORTAFARO | |
| 4 | 94037.21 | 1 | ADESIVO PARAF. ANT 2021 | |
| 5 | 94173 | 1 | ADESIVI FORC. KAYABA NERI | DECAL KYB BLACK |
| 6 | 94180.250 | 1 | KIT AD. M.21 CIL 250Fi 4T | |
| 7 | 94180.300 | 1 | KIT AD. M.21 CIL 300Fi 4T | |
| 8 | 94180.450 | 1 | KIT AD. M.21 CIL 450Fi 4T | |
| 9 | 94180.530 | 1 | KIT AD. M.21 CIL 530Fi 4T | |



4T300FIENTW21-T
TELAIO - FRAME

-

| | | | |
|----------|--------------------|----|---|
| 00692 | 4T250FIENTW19-T-07 | 25 | 2 |
| 03070 | 4T250FIENTW20-T-03 | 18 | 2 |
| 03071 | 4T250FIENTW19-T-04 | 3 | 2 |
| | 4T250FIENTW19-T-12 | 4 | 3 |
| 04074 | 4T250FIENTW19-T-12 | 2 | 2 |
| 12010 | 4T250FIENTW19-T-11 | 3 | 2 |
| 12039 | 4T250FIENTW19-T-09 | 3 | 1 |
| 12051 | 4T250FIENTW19-T-13 | 18 | 2 |
| 12102 | 4T250FIENTW19-T-10 | 22 | 4 |
| | 4T250FIENTW19-T-11 | 9 | 4 |
| 16021 | 4T250FIENTW19-T-07 | 2 | 1 |
| 16022 | 4T250FIENTW19-T-07 | 29 | 2 |
| 16023 | 4T250FIENTW19-T-07 | 4 | 1 |
| 16026 | 4T250FIENTW19-T-09 | 5 | 1 |
| 16034.08 | 4T250FIENTW19-T-07 | 17 | 1 |
| 16072 | 4TEN21-T-18 | 6 | 1 |
| 19043 | 4T250FIENTW19-T-10 | 23 | 2 |

| | | | |
|-------|--------------------|----|---|
| 19044 | 4T250FIENTW19-T-13 | 19 | 2 |
| 19101 | 4T250FIENTW19-T-11 | 10 | 1 |
| 19106 | 4T250FIENTW19-T-11 | 2 | 6 |
| 21023 | 4T250FIENTW19-T-05 | 15 | 1 |
| 21024 | 4T250FIENTW19-T-05 | 13 | 1 |
| 21033 | 4T250FIENTW20-T-03 | 22 | 1 |
| 21036 | 4T250FIENTW20-T-03 | 27 | 4 |
| 21045 | 4T250FIENTW19-T-16 | 7 | 2 |
| 21102 | 4T250FIENTW19-T-05 | 5 | 4 |
| 21135 | 4T250FIENTW19-T-08 | 10 | 2 |
| 23054 | 4T250FIENTW19-T-05 | 6 | 1 |
| 23055 | 4T250FIENTW19-T-05 | 8 | 1 |
| 23079 | 4T-23079 | 1 | 1 |
| 23080 | 4T-23079 | 1 | 1 |
| 26059 | 4T250FIENTW19-T-08 | 6 | 2 |
| 26082 | 4T250FIENTW19-T-06 | 8 | 1 |
| 26083 | 4T250FIENTW19-T-06 | 17 | 1 |
| 26084 | 4T250FIENTW19-T-05 | 4 | 4 |

| | | | |
|-------|--------------------|----|---|
| | 4T250FIENTW19-T-08 | 14 | 4 |
| 26092 | 4T250FIENTW19-T-10 | 11 | 1 |
| 26106 | 4T250FIENTW20-T-03 | 28 | 2 |
| 26115 | 4T250FIENTW19-T-16 | 3 | 1 |
| 26132 | 4T250FIENTW19-T-08 | 15 | 2 |
| 26157 | 4T250FIENTW19-T-08 | 16 | 2 |
| 49077 | 4T250FIENTW19-T-04 | 8 | 1 |
| 49080 | 4T250FIENTW20-T-03 | 21 | 1 |
| 49095 | 4T250FIENTW19-T-10 | 18 | 2 |
| 49117 | 4T250FIENTW19-T-06 | 14 | 1 |
| 49123 | 4T250FIENTW19-T-10 | 6 | 1 |
| 49250 | 4T250FIENTW19-T-04 | 6 | 1 |
| 49257 | 4T250FIENTW19-T-12 | 3 | 1 |
| 49304 | 4T250FIENTW19-T-06 | 26 | 2 |
| 49309 | 4TEN21-T-18 | 8 | 1 |
| 49316 | 4TEN21-T-18 | 19 | 2 |
| 49317 | 4T250FIENTW19-T-08 | 17 | 6 |
| | 4T250FIENTW19-T-09 | 8 | 1 |



4T300FIENTW21-T
TELAIO - FRAME

-

| | | | |
|---------|--------------------|----|---|
| 49345 | 4T250FIENTW19-T-11 | 7 | 2 |
| 49347.1 | 4T250FIENTW19-T-11 | 13 | 1 |
| 49351 | 4T250FIENTW19-T-07 | 11 | 1 |
| 49352 | 4T250FIENTW19-T-07 | 10 | 1 |
| 49355 | 4T250FIENTW19-T-05 | 3 | 4 |
| 49356 | 4T250FIENTW19-T-08 | 12 | 6 |
| | 4T250FIENTW19-T-16 | 2 | 1 |
| 49362 | 4T250FIENTW19-T-10 | 13 | 2 |
| 49364 | 4T250FIENTW19-T-07 | 7 | 8 |
| 49365 | 4T250FIENTW20-T-02 | 18 | 1 |
| 49366 | 4T250FIENTW19-T-07 | 8 | 2 |
| 49370 | 4T250FIENTW19-T-04 | 19 | 6 |
| | 4T250FIENTW19-T-10 | 12 | 1 |
| | 4T250FIENTW19-T-16 | 8 | 1 |
| 49374 | 4T250FIENTW19-T-09 | 10 | 2 |
| 49382 | 4T250FIENTW19-T-07 | 27 | 2 |
| 49383 | 4T250FIENTW19-T-07 | 28 | 2 |

| | | | |
|-------|--------------------|----|---|
| 49396 | 4T250FIENTW19-T-10 | 17 | 3 |
| 49400 | 4T250FIENTW19-T-13 | 14 | 1 |
| 49402 | 4T250FIENTW19-T-06 | 21 | 4 |
| 49404 | 4T250FIENTW19-T-06 | 16 | 1 |
| 49407 | 4TEN21-T-18 | 16 | 2 |
| 49416 | 4T-23079 | 8 | 4 |
| 49418 | 4T250FIENTW19-T-06 | 1 | 1 |
| 49421 | 4T250FIENTW19-T-12 | 20 | 9 |
| 49425 | 4T250FIENTW19-T-13 | 13 | 1 |
| 49435 | 4T250FIENTW19-T-08 | 18 | 4 |
| 49443 | 4T250FIENTW19-T-12 | 6 | 4 |
| 49448 | 4T250FIENTW19-T-09 | 14 | 2 |
| 49474 | 4T250FIENTW20-T-03 | 31 | 2 |
| | 4T250FIENTW20-T-14 | 13 | 8 |
| 49483 | 4T250FIENTW20-T-14 | 2 | 3 |
| 49484 | 4T250FIENTW19-T-08 | 7 | 2 |
| 49485 | 4T250FIENTW20-T-14 | 15 | 2 |
| 49486 | 4T250FIENTW20-T-14 | 16 | 2 |

| | | | |
|-------|--------------------|----|----|
| 49501 | 4T250FIENTW19-T-07 | 23 | 2 |
| 49502 | 4T250FIENTW20-T-03 | 30 | 12 |
| 49553 | 4T250FIENTW19-T-16 | 10 | 2 |
| 49556 | 4T250FIENTW19-T-13 | 15 | 1 |
| 49571 | 4T250FIENTW20-T-03 | 2 | 6 |
| 49574 | 4T250FIENTW19-T-06 | 7 | 2 |
| | 4T250FIENTW19-T-08 | 5 | 10 |
| | 4T250FIENTW19-T-13 | 4 | 2 |
| 49582 | 4T250FIENTW20-T-03 | 3 | 2 |
| 49597 | 4T250FIENTW19-T-07 | 3 | 2 |
| 49600 | 4T-23079 | 5 | 4 |
| 49603 | 4T250FIENTW19-T-10 | 14 | 2 |
| 49611 | 4T250FIENTW19-T-12 | 19 | 9 |
| 49612 | 4T250FIENTW19-T-07 | 30 | 2 |
| 49621 | 4T250FIENTW19-T-06 | 2 | 1 |
| 49629 | 4T250FIENTW19-T-13 | 10 | 1 |
| | 4T250FIENTW20-T-03 | 32 | 2 |
| 49631 | 4T-23079 | 6 | 4 |



4T300FIENTW21-T
TELAIO - FRAME

-

| | | | |
|-------|--------------------|----|---|
| 49636 | 4T250FIENTW19-T-13 | 22 | 1 |
| 49637 | 4T250FIENTW19-T-06 | 13 | 1 |
| 49638 | 4T250FIENTW19-T-10 | 15 | 2 |
| 49640 | 4T250FIENTW19-T-04 | 14 | 1 |
| | 4T250FIENTW19-T-10 | 5 | 2 |
| | 4T250FIENTW19-T-12 | 9 | 1 |
| 49643 | 4T250FIENTW19-T-12 | 18 | 9 |
| 49646 | 4T250FIENTW20-T-03 | 26 | 2 |
| 49656 | 4T250FIENTW19-T-07 | 18 | 1 |
| 49676 | 4T250FIENTW19-T-11 | 19 | 1 |
| | 4T250FIENTW20-T-14 | 17 | 2 |
| | 4TEN21-T-18 | 15 | 2 |
| | 4TEN21-T-18 | 18 | 2 |
| 49680 | 4T250FIENTW19-T-07 | 9 | 6 |
| | 4T250FIENTW19-T-13 | 20 | 1 |
| 49682 | 4T250FIENTW19-T-11 | 6 | 3 |
| 49701 | 4T250FIENTW20-T-14 | 14 | 8 |
| 49725 | 4T250FIENTW19-T-07 | 35 | 1 |

| | | | |
|---------|--------------------|----|---|
| 49754 | 4T250FIENTW19-T-09 | 12 | 7 |
| 49785 | 4TEN21-T-18 | 7 | 2 |
| 49790 | 4T250FIENTW19-T-11 | 17 | 1 |
| 49791 | 4T250FIENTW19-T-11 | 13 | 1 |
| 49794 | 4T250FIENTW19-T-10 | 3 | 4 |
| 49801 | 4T250FIENTW19-T-05 | 19 | 2 |
| 49802 | 4TEN21-T-18 | 4 | 5 |
| 49807.1 | 4T-23079 | 11 | 4 |
| 49872 | 4T250FIENTW19-T-06 | 23 | 9 |
| 49888 | 4T250FIENTW19-T-06 | 24 | 2 |
| 49923 | 4T250FIENTW19-T-06 | 12 | 1 |
| 49924 | 4T250FIENTW19-T-06 | 5 | 1 |
| 49925 | 4T250FIENTW19-T-06 | 10 | 1 |
| 49982 | 4T250FIENTW19-T-16 | 6 | 2 |
| 50512 | 4T250FIENTW19-T-07 | 1 | 1 |
| 51006 | 4T250FIENTW19-T-06 | 22 | 1 |
| 51014 | 4T250FIENTW19-T-05 | 10 | 2 |
| 51036 | 4T250FIENTW19-T-05 | 16 | 6 |

| | | | |
|---------|--------------------|----|---|
| 51037 | 4T250FIENTW19-T-05 | 9 | 2 |
| | 4T250FIENTW19-T-13 | 9 | 2 |
| 51062 | 4T250FIENTW19-T-05 | 14 | 4 |
| 51092 | 4TEN21-T-18 | 5 | 1 |
| 64010 | 4T300FIENTW20-T-01 | 16 | 1 |
| 64067 | 4T300FIENTW20-T-01 | 20 | 1 |
| 64078.1 | 4T300FIENTW20-T-01 | 6 | 1 |
| 64079 | 4T300FIENTW20-T-01 | 20 | 1 |
| 64083 | 4T300FIENTW20-T-01 | 4 | 1 |
| 64125.2 | 4T250FIENTW19-T-16 | 4 | 1 |
| 64130 | 4T250FIENTW19-T-16 | 1 | 1 |
| 64200 | 4T300FIENTW20-T-01 | 7 | 1 |
| 64238 | 4T300FIENTW20-T-01 | 14 | 1 |
| 64240 | 4T300FIENTW20-T-01 | 8 | 1 |
| 64241 | 4T300FIENTW20-T-01 | 13 | 1 |
| 64243 | 4T300FIENTW20-T-01 | 15 | 1 |
| 64245 | 4T300FIENTW20-T-01 | 12 | 1 |



**4T300FIENTW21-T
TELAIO - FRAME**

-

| | | | |
|----------|--------------------|----|---|
| 64247 | 4T300FIENTW20-T-01 | 9 | 1 |
| 64249 | 4T300FIENTW20-T-01 | 10 | 1 |
| 65032 | 4T250FIENTW19-T-09 | 6 | 1 |
| 65034 | 4T250FIENTW19-T-05 | 7 | 1 |
| 65035 | 4T250FIENTW19-T-09 | 4 | 1 |
| 66065 | 4T250FIENTW19-T-06 | 3 | 1 |
| 67036 | 4T250FIENTW19-T-05 | 11 | |
| | 4T250FIENTW19-T-09 | 17 | 1 |
| 67043.20 | 4TEN21-T-18 | 1 | 1 |
| 67054 | 4T250FIENTW19-T-10 | 2 | 2 |
| 67088.08 | 4T250FIENTW19-T-07 | 34 | 1 |
| | 4T250FIENTW19-T-11 | 18 | 1 |
| 67099.15 | 4T250FIENTW19-T-10 | 16 | 1 |
| 67102.10 | 4T250FIENTW19-T-10 | 10 | 1 |
| 67131.12 | 4T250FIENTW19-T-08 | 11 | 1 |
| 67135.08 | 4TEN21-T-18 | 20 | 1 |
| 67170 | 4T250FIENTW19-T-05 | 12 | |
| 67216.12 | 4T250FIENTW19-T-08 | 11 | 1 |

| | | | |
|----------|--------------------|----|---|
| 67220.7 | 4TEN21-T-18 | 2 | 2 |
| 67221.20 | 4TEN21-T-18 | 1 | 1 |
| 67224.20 | 4T250FIENTW20-T-03 | 1 | 1 |
| 67233 | 4T250FIENTW19-T-08 | 9 | 1 |
| 67235.20 | 4T250FIENTW20-T-03 | 1 | 1 |
| 67251.15 | 4T250FIENTW19-T-08 | 8 | 1 |
| 67271.15 | 4T250FIENTW19-T-08 | 1 | 1 |
| 67274.15 | 4T250FIENTW19-T-08 | 3 | 1 |
| 67275 | 4T250FIENTW19-T-08 | 20 | 1 |
| 67276 | 4T250FIENTW19-T-08 | 21 | 1 |
| 67282 | 4T250FIENTW19-T-08 | 22 | 1 |
| 67291 | 4TEN21-T-18 | 3 | 1 |
| 67295 | 4TEN21-T-18 | 3 | 1 |
| 67351 | 4TEN21-T-18 | 24 | 1 |
| 68029 | 4T300FIENTW20-T-01 | 5 | 1 |
| 68030.10 | 4T300FIENTW20-T-01 | 17 | 1 |
| 68060 | 4T250FIENTW20-T-02 | 10 | 1 |
| 68061 | 4T250FIENTW19-T-13 | 5 | 1 |
| 68234 | 4T300FIENTW20-T-15 | 10 | 1 |

| | | | |
|----------|--------------------|----|---|
| 68244 | 4T300FIENTW20-T-01 | 2 | 1 |
| 68250 | 4TEN21-T-18 | 21 | 1 |
| 68251.1 | 4TEN21-T-18 | 11 | 1 |
| 68251.2 | 4TEN21-T-18 | 12 | 1 |
| 68251.3 | 4TEN21-T-18 | 14 | 1 |
| 68251.4 | 4TEN21-T-18 | 13 | 1 |
| 68258 | 4TEN21-T-18 | 23 | 1 |
| 68997 | 4T250FIENTW19-T-13 | 24 | 1 |
| 69000.08 | 4T250FIENTW19-T-13 | 12 | 1 |
| 69002.99 | 4T250FIENTW19-T-13 | 11 | 1 |
| 69012.05 | 4T250FIENTW19-T-13 | 23 | 1 |
| 69034 | 4T250FIENTW19-T-13 | 6 | 4 |
| | 4T250FIENTW20-T-02 | 9 | 4 |
| 69042.14 | 4T250FIENTW20-T-02 | 11 | 1 |
| 69084.05 | 4T250FIENTW19-T-13 | 3 | 1 |
| 69086 | 4T250FIENTW19-T-13 | 27 | 1 |
| 69087 | 4T250FIENTW19-T-13 | 29 | 1 |
| 69088 | 4T250FIENTW19-T-13 | 30 | 1 |
| 69093 | 4T250FIENTW20-T-02 | 12 | 1 |



4T300FIENTW21-T
TELAIO - FRAME

-

| | | | |
|----------|--------------------|----|---|
| 69094 | 4T250FIENTW19-T-13 | 26 | 1 |
| 69096.05 | 4T250FIENTW19-T-13 | 31 | 1 |
| 69107 | 4T250FIENTW20-T-02 | 14 | 1 |
| 69113 | 4T250FIENTW20-T-02 | 17 | 1 |
| 69117 | 4T250FIENTW20-T-02 | 14 | 1 |
| 69125 | 4T250FIENTW19-T-13 | 21 | 1 |
| 69181 | 4T250FIENTW19-T-13 | 1 | 1 |
| 69185.15 | 4T250FIENTW19-T-13 | 28 | 1 |
| 69205 | 4T250FIENTW19-T-13 | 17 | 1 |
| 69222 | 4T250FIENTW20-T-02 | 13 | 1 |
| 69232 | 4T250FIENTW19-T-13 | 8 | 1 |
| 69248 | 4T250FIENTW20-T-02 | 1 | 1 |
| 69257 | 4T250FIENTW19-T-13 | 34 | 1 |
| 69258 | 4T250FIENTW19-T-13 | 33 | 1 |
| 69260 | 4T250FIENTW19-T-04 | 18 | 1 |
| 69261 | 4T250FIENTW19-T-12 | 7 | 1 |
| 69273 | 4T250FIENTW20-T-02 | 15 | 1 |

| | | | |
|----------|--------------------|----|---|
| 69274 | 4T250FIENTW20-T-02 | 16 | 1 |
| 69285.15 | 4T250FIENTW19-T-13 | 32 | 1 |
| 69309 | 4T250FIENTW19-T-13 | 25 | 1 |
| 69321 | 4T250FIENTW19-T-13 | 2 | 1 |
| 69357 | 4T250FIENTW20-T-02 | 3 | 1 |
| 69358 | 4T250FIENTW20-T-02 | 4 | 1 |
| 69362 | 4T250FIENTW20-T-02 | 7 | 1 |
| 69363 | 4T250FIENTW20-T-02 | 2 | 1 |
| 69364 | 4T250FIENTW20-T-02 | 5 | 1 |
| 69365 | 4T250FIENTW20-T-02 | 8 | 1 |
| 69368 | 4T250FIENTW20-T-02 | 6 | 1 |
| 69998 | 4T250FIENTW19-T-04 | 2 | 2 |
| 70027 | 4T250FIENTW19-T-12 | 8 | 1 |
| 70030.1 | 4T250FIENTW19-T-04 | 13 | 1 |
| 70032 | 4T250FIENTW19-T-04 | 11 | 1 |
| 70033 | 4T250FIENTW19-T-12 | 12 | 1 |
| 70050 | 4T250FIENTW19-T-04 | 12 | 1 |

| | | | |
|----------|--------------------|----|----|
| 70052 | 4T250FIENTW19-T-12 | 13 | 1 |
| 70062 | 4T250FIENTW19-T-04 | 16 | 36 |
| | 4T250FIENTW19-T-12 | 16 | 36 |
| 70091 | 4T250FIENTW19-T-12 | 23 | 1 |
| 70103.48 | 4T250FIENTW19-T-12 | 21 | 1 |
| 70103.49 | 4T250FIENTW19-T-12 | 21 | 1 |
| 70103.50 | 4T250FIENTW19-T-12 | 21 | 1 |
| 70103.51 | 4T250FIENTW19-T-12 | 21 | 1 |
| 70103.52 | 4T250FIENTW19-T-12 | 21 | 1 |
| 70103.53 | 4T250FIENTW19-T-12 | 21 | 1 |
| 70119.15 | 4T250FIENTW19-T-12 | 24 | 1 |
| 70119.3 | 4T250FIENTW19-T-12 | 17 | 1 |
| 70140.15 | 4T250FIENTW19-T-10 | 7 | 1 |
| 70141 | 4T250FIENTW19-T-12 | 22 | 1 |
| 70145.15 | 4T250FIENTW19-T-12 | 10 | 1 |
| 70165 | 4T250FIENTW19-T-04 | 4 | 2 |
| 70166 | 4T250FIENTW19-T-04 | 7 | 1 |



4T300FIENTW21-T
TELAIO - FRAME

-

| | | | |
|----------|--------------------|----|----|
| 70167 | 4T250FIENTW19-T-04 | 5 | 1 |
| 70181 | 4T250FIENTW19-T-04 | 17 | 1 |
| 70188 | 4T250FIENTW19-T-04 | 20 | 1 |
| 70191 | 4T250FIENTW19-T-04 | 9 | 1 |
| 70240 | 4T250FIENTW19-T-12 | 5 | 1 |
| 70241 | 4T250FIENTW19-T-12 | 1 | 2 |
| 70246 | 4T250FIENTW19-T-04 | 15 | 36 |
| 70270 | 4T250FIENTW19-T-12 | 14 | 18 |
| 70271 | 4T250FIENTW19-T-12 | 15 | 18 |
| 70290.50 | 4T250FIENTW19-T-12 | 21 | 1 |
| 70290.51 | 4T250FIENTW19-T-12 | 21 | 1 |
| 70290.52 | 4T250FIENTW19-T-12 | 21 | 1 |
| 70291.48 | 4T250FIENTW19-T-12 | 21 | 1 |
| 70291.49 | 4T250FIENTW19-T-12 | 21 | 1 |
| 70291.50 | 4T250FIENTW19-T-12 | 21 | 1 |
| 70291.51 | 4T250FIENTW19-T-12 | 21 | 1 |
| 70291.52 | 4T250FIENTW19-T-12 | 21 | 1 |

| | | | |
|----------|--------------------|----|---|
| 72000.80 | 4T250FIENTW20-T-03 | 20 | 1 |
| 72000.81 | 4T250FIENTW20-T-03 | 15 | 1 |
| 72000.88 | 4T250FIENTW20-T-03 | 25 | 1 |
| 72002.02 | 4T250FIENTW20-T-03 | 17 | 2 |
| 72008.98 | 4T250FIENTW20-T-03 | 19 | 1 |
| 72031 | 4T250FIENTW20-T-03 | 16 | 1 |
| 72036.11 | 4T250FIENTW20-T-03 | 23 | 2 |
| 72037.11 | 4T250FIENTW20-T-03 | 29 | 2 |
| 72341 | 4T250FIENTW20-T-03 | 24 | 2 |
| 72501 | 4T250FIENTW20-T-03 | 7 | 2 |
| 72502 | 4T250FIENTW20-T-03 | 5 | 2 |
| 72503 | 4T250FIENTW20-T-03 | 10 | 2 |
| 72504 | 4T250FIENTW20-T-03 | 9 | 2 |
| 72525 | 4T250FIENTW20-T-03 | 6 | 2 |
| 72526 | 4T250FIENTW20-T-03 | 8 | 2 |
| 72530 | 4T250FIENTW20-T-03 | 11 | 2 |
| 72567.1 | 4T250FIENTW20-T-03 | 13 | 2 |

| | | | |
|----------|--------------------|----|---|
| 72568 | 4T250FIENTW20-T-03 | 4 | 1 |
| 72569 | 4T250FIENTW20-T-03 | 14 | 1 |
| 73016.15 | 4T250FIENTW19-T-11 | 20 | 1 |
| 73036 | 4T250FIENTW19-T-07 | 31 | 2 |
| 73047 | 4T250FIENTW19-T-08 | 19 | 2 |
| 73048.10 | 4T250FIENTW19-T-07 | 24 | 1 |
| 73049.10 | 4T250FIENTW19-T-07 | 24 | 1 |
| 73059.15 | 4T250FIENTW19-T-11 | 21 | 1 |
| 73064 | 4T250FIENTW19-T-07 | 26 | 2 |
| 73075 | 4T250FIENTW19-T-11 | 4 | 2 |
| 73096.15 | 4TEN21-T-18 | 17 | 1 |
| 73096.21 | 4TEN21-T-18 | 28 | 1 |
| 73112 | 4T250FIENTW19-T-10 | 21 | 2 |
| 73115 | 4T250FIENTW19-T-10 | 19 | 2 |
| 73130 | 4T250FIENTW19-T-10 | 9 | 1 |
| 73144 | 4T250FIENTW19-T-11 | 14 | 1 |
| 73145 | 4T250FIENTW19-T-11 | 1 | 1 |
| 73204 | 4T250FIENTW19-T-11 | 15 | 1 |



4T300FIENTW21-T
TELAIO - FRAME

-

| | | | |
|-----------|--------------------|----|---|
| 73211 | 4T250FIENTW19-T-11 | 5 | 1 |
| 73214 | 4T250FIENTW19-T-11 | 11 | 1 |
| 74044 | 4T250FIENTW19-T-04 | 1 | 1 |
| 74055.15 | 4T250FIENTW19-T-10 | 8 | 1 |
| 74056 | 4T250FIENTW19-T-10 | 20 | 1 |
| 80150 | 4T250FIENTW19-T-04 | 10 | 1 |
| 80151 | 4T250FIENTW19-T-12 | 11 | 1 |
| 94037.21 | KA21-4T | 4 | 1 |
| 94148.21 | KA21-4T | 1 | 1 |
| 94160.21 | KA21-4T | 2 | 1 |
| 94161.21 | KA21-4T | 3 | 1 |
| 94173 | KA21-4T | 5 | 1 |
| 94180.250 | KA21-4T | 6 | 1 |
| 94180.300 | KA21-4T | 7 | 1 |
| 94180.450 | KA21-4T | 8 | 1 |
| 94180.530 | KA21-4T | 9 | 1 |
| F08004 | 4T250FIENTW19-T-06 | 25 | 1 |
| F08122 | 4T250FIENTW19-T-09 | 15 | 1 |
| F08348.1 | 4T250FIENTW19-T-09 | 11 | 1 |
| F08370 | 4T250FIENTW19-T-09 | 18 | 1 |
| F08392.0 | 4T300FIENTW20-T-15 | 1 | 1 |

| | | | |
|----------|--------------------|----|---|
| F12312 | 4T250FIENTW19-T-11 | 12 | 2 |
| F15458 | 4T300FIENTW20-T-15 | 5 | 1 |
| F15557 | 4T300FIENTW20-T-15 | 7 | 1 |
| F15559 | 4T300FIENTW20-T-15 | 2 | 1 |
| F16434 | 4T250FIENTW19-T-13 | 16 | 1 |
| F21439 | 4T250FIENTW19-T-05 | 18 | 1 |
| F21440.1 | 4T250FIENTW19-T-05 | 17 | 1 |
| F23303 | 4T250FIENTW19-T-05 | 2 | 4 |
| F23306 | 4T-23079 | 10 | 1 |
| F23307 | 4T-23079 | 2 | 1 |
| F23309 | 4T-23079 | 4 | 1 |
| F23310 | 4T-23079 | 9 | 1 |
| F23316 | 4T250FIENTW19-T-05 | 6 | 1 |
| F23317 | 4T250FIENTW19-T-05 | 8 | 1 |
| F23321 | 4T250FIENTW19-T-05 | 1 | 1 |
| F23323 | 4T250FIENTW19-T-05 | 1 | 1 |
| F23325 | 4T-23079 | 3 | 1 |
| F23326 | 4T-23079 | 3 | 1 |
| F26429 | 4T250FIENTW19-T-07 | 21 | 1 |

| | | | |
|--------|--------------------|----|---|
| F26690 | 4T250FIENTW19-T-07 | 5 | 1 |
| F26691 | 4T250FIENTW19-T-07 | 6 | 1 |
| F26695 | 4T250FIENTW19-T-09 | 9 | 1 |
| F26717 | 4TEN21-T-18 | 22 | 1 |
| F27476 | 4T250FIENTW20-T-14 | 9 | 8 |
| F27570 | 4T250FIENTW20-T-14 | 12 | 2 |
| F27580 | 4T250FIENTW20-T-14 | 1 | 1 |
| F27605 | 4T250FIENTW20-T-14 | 11 | 2 |
| F27606 | 4T250FIENTW20-T-14 | 8 | 1 |
| F27607 | 4T250FIENTW20-T-14 | 7 | 1 |
| F27608 | 4T250FIENTW20-T-14 | 6 | 1 |
| F27609 | 4T250FIENTW20-T-14 | 5 | 1 |
| F27612 | 4T250FIENTW20-T-14 | 10 | 4 |
| F27620 | 4T250FIENTW20-T-14 | 4 | 1 |
| F27621 | 4T250FIENTW20-T-14 | 3 | 1 |
| F35606 | 4T300FIENTW20-T-01 | 18 | 1 |
| F49819 | 4T250FIENTW19-T-07 | 22 | 1 |



4T300FIENTW21-T
TELAIO - FRAME

-

| | | | |
|--------|--------------------|----|---|
| F49822 | 4T250FIENTW19-T-06 | 9 | 1 |
| F49861 | 4T250FIENTW19-T-07 | 33 | 4 |
| F49939 | 4T-23079 | 13 | 2 |
| F49962 | 4T250FIENTW19-T-07 | 12 | 2 |
| | 4T250FIENTW19-T-11 | 16 | 1 |
| | 4TEN21-T-18 | 10 | 4 |
| F49976 | 4T250FIENTW19-T-10 | 4 | 2 |
| F50826 | 4T250FIENTW19-T-07 | 32 | 1 |
| F51112 | 4T250FIENTW19-T-09 | 16 | 2 |
| F64300 | 4T300FIENTW20-T-01 | 1 | 1 |
| F64322 | 4T300FIENTW20-T-01 | 3 | 1 |
| F64349 | 4T250FIENTW19-T-16 | 5 | 1 |
| F65129 | 4T250FIENTW19-T-09 | 2 | 1 |
| F65136 | 4T250FIENTW19-T-09 | 13 | 1 |
| F65137 | 4T250FIENTW19-T-09 | 1 | 1 |
| F66520 | 4T250FIENTW19-T-06 | 19 | 1 |
| F66521 | 4T250FIENTW19-T-06 | 4 | 1 |
| F67132 | 4T250FIENTW19-T-08 | 4 | 1 |

| | | | |
|----------|--------------------|----|---|
| F67133 | 4T250FIENTW19-T-08 | 2 | 1 |
| F67136 | 4T250FIENTW19-T-06 | 11 | 1 |
| F67137 | 4T250FIENTW19-T-06 | 6 | 1 |
| F67139 | 4T250FIENTW19-T-06 | 18 | 1 |
| F67139.1 | 4T250FIENTW19-T-06 | 20 | 1 |
| F67140 | 4T250FIENTW19-T-08 | 22 | 1 |
| F67141 | 4T250FIENTW19-T-06 | 11 | 1 |
| F67166 | 4T250FIENTW19-T-06 | 15 | 1 |
| F67181 | 4TEN21-T-18 | 26 | 1 |
| F67210 | 4TEN21-T-18 | 25 | 1 |
| F67211 | 4TEN21-T-18 | 27 | 1 |
| F68102 | 4T300FIENTW20-T-15 | 3 | 1 |
| F68108 | 4T250FIENTW19-T-09 | 7 | 1 |
| F68110 | 4T250FIENTW19-T-16 | 9 | 1 |
| F68131 | 4T300FIENTW20-T-15 | 8 | 1 |
| F68142 | 4T300FIENTW20-T-15 | 9 | 1 |
| F68212 | 4T300FIENTW20-T-15 | 4 | 1 |
| F68213 | 4T300FIENTW20-T-15 | 11 | 1 |

| | | | |
|--------|--------------------|----|---|
| F68214 | 4T300FIENTW20-T-15 | 12 | 1 |
| F68258 | 4T-23079 | 12 | 1 |
| F68305 | 4T300FIENTW20-T-15 | 6 | 1 |
| F68308 | 4TEN21-T-18 | 9 | 1 |
| F69519 | 4T250FIENTW19-T-13 | 7 | 1 |
| F72445 | 4T250FIENTW20-T-03 | 12 | 2 |
| F72446 | 4T250FIENTW20-T-03 | 12 | 2 |
| F72447 | 4T250FIENTW20-T-03 | 12 | 2 |
| F72448 | 4T250FIENTW20-T-03 | 12 | 2 |
| F72449 | 4T250FIENTW20-T-03 | 12 | 2 |
| F73416 | 4T250FIENTW19-T-11 | 8 | 1 |
| F73438 | 4T250FIENTW19-T-07 | 16 | 1 |
| F73439 | 4T250FIENTW19-T-07 | 19 | 1 |
| F73450 | 4T250FIENTW19-T-07 | 20 | 1 |
| F73451 | 4T250FIENTW19-T-07 | 15 | 1 |
| F73466 | 4T250FIENTW19-T-07 | 14 | 1 |
| F73474 | 4T250FIENTW19-T-10 | 1 | 1 |
| F73503 | 4T250FIENTW19-T-07 | 13 | 1 |