



USES AND
RACOMMENDS



www.tmracing.it

TM Racing SpA - Via Fano, 6
61122 Pesaro - ITALY
Phone: +39 0721 25113

4T450FIFT21-T

TELAIO
FRAME

28/02/2022



INFORMAZIONI GENERALI

Il presente catalogo serve per richiedere con esattezza le parti di ricambio.

Nelle ordinazioni indicare:

1) Il numero di matricola del Telaio che è stampigliato sul lato destro del canotto di sterzo. Nei modelli EN, SMR, SMR il numero di matricola è riportato anche su una targhetta posta sul lato sinistro (Vedi foto).

2) il numero di serie del Motore. E' posto sulla sinistra del motore tra la leva cambio e i coperchio accensione (Vedi foto).

3) Il codice dei particolari seguito dalla descrizione.

4) Il colore per i pezzi verniciati o comunque colorati.

Le indicazioni destra e sinistra si riferiscono ai lati del veicolo rispetto al senso di marcia.

Foto e disegni sono solo a scopo informativo e potrebbero non corrispondere esattamente alle caratteristiche dei prodotti.

GENERAL INFORMATION

The present spare parts catalogue enables one to order exactly the right spare part.

When ordering specify:

1) The frame serial number. It is embossed on the right side of the steering metal tube. In the EN, SMR and SMR models, the serial number is also stated on a plate positioned on the left hand side (See photo).

2) The engine serial numer. It is located on the left side of the engine between the gear lever and the ignition cover (See photo).

3) The part's code number followed but its description.

4) Indicate colour for painted or colored parts.

References to right and left apply to the vehicle in terms of its direction of movement.

Photos and drawings are for informational purposes only and may not exactly match the characteristics of the products.

NOTE – LEGENDA

MY

NOVITA' INTRODOTTA DIFFERENTE O NON PRESENTE NEL MODELLO DELL'ANNO PRECEDENTE

PART DIFFERENT OR NOT PRESENT IN THE REVIOUS YEAR MODEL

5M

MOTORE CON CAMBIO A 5 MARCE
ENGINE WITH 5 GEARS SPEED

6M

MOTORE CON CAMBIO A 6 MARCE
ENGINE WITH 6 GEARS SPEED

KS

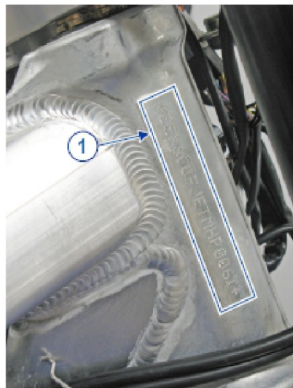
MOTORE CON SOLO KICK STARTER
ENGINE WITH KICK STARTER ONLY

ES

MOTORE CON AVVIAMENTO ELETTRICO
ENGINE WITH ELECTRIC STARTER

X

RICAMBIO NON DISPONIBILE ALLA VENDITA
PART CAN NOT BE SOLD SEPARATELY



Le illustrazioni riportate in questo manuale sono fornite solo come riferimento e possono variare dal prodotto effettivo,

Dati indicativi soggetti a modifiche senza impegno di preavviso.

The illustrations in this manual are for reference only and may vary from the actual product.

All data are subject to modification without prior notice.



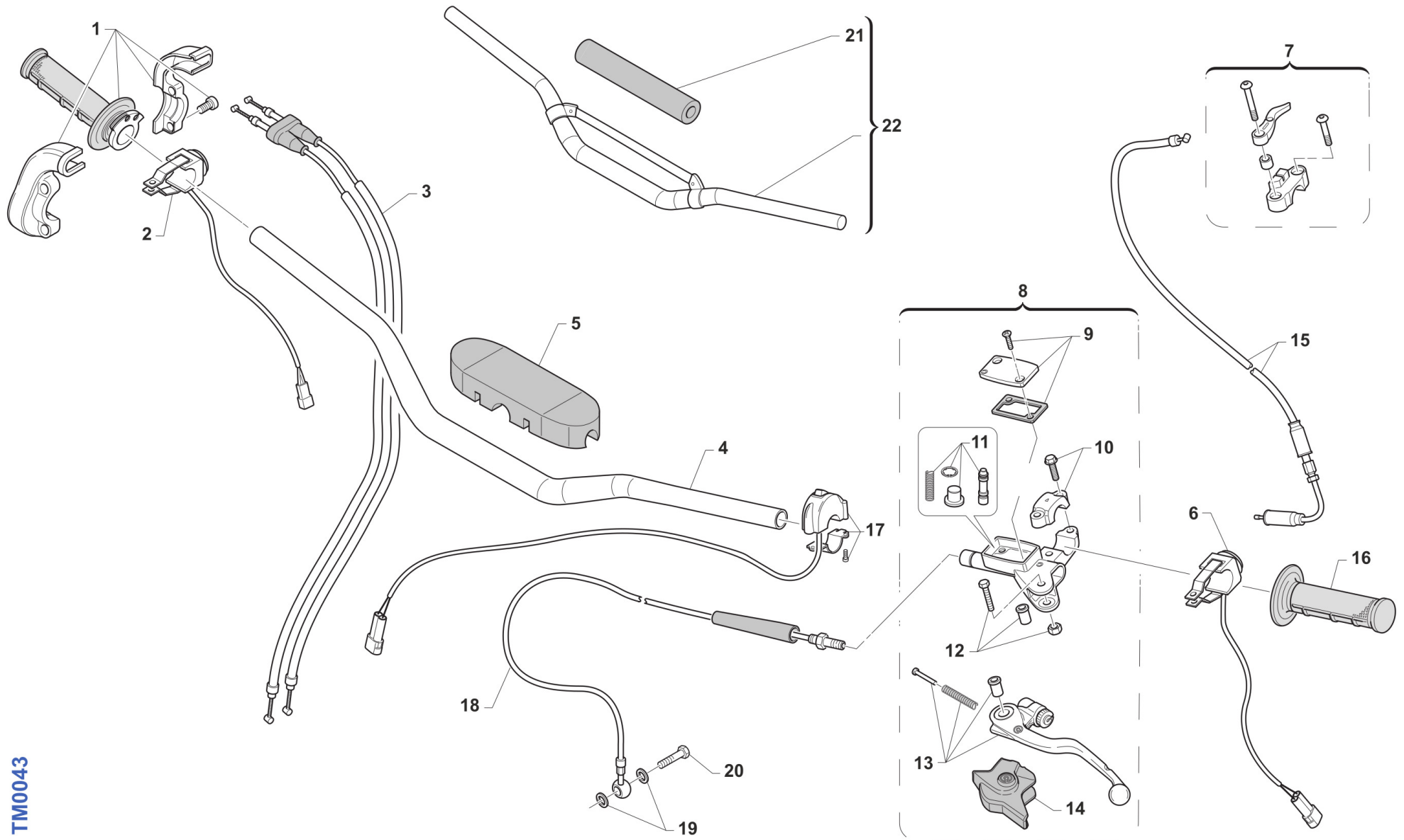
4T450FIFT21-T
TELAIO - FRAME

MANUBRIO - HANDLEBAR.....	4
FRENO ANTERIORE - FRONT BRAKE.....	6
FORCELLA - FRONT FORK.....	8
RUOTA ANTERIORE FT.....	11
RADIATORI - RADIATORS.....	13
FILTRO ARIA - AIR FILTER.....	15
TELAIO - FRAME.....	17
PLASTICHE - SEAT AND PLASTICS.....	19
SERBATOIO - FUEL TANK.....	21
FORCELLONE - SWINGARM.....	23
LEVERAGGI - LINKAGE.....	25
RUOTA POSTERIORE FT.....	27
FRENO POSTERIORE - REAR BRAKE.....	30
SCARICO - EXHAUST SYSTEM.....	33
CABLAGGI - WIRING.....	35
KIT ADESIVI - STICKERS KIT.....	37
-	39



4T450FIFT21-T
TELAIO - FRAME

MANUBRIO
HANDLEBAR



TM0043

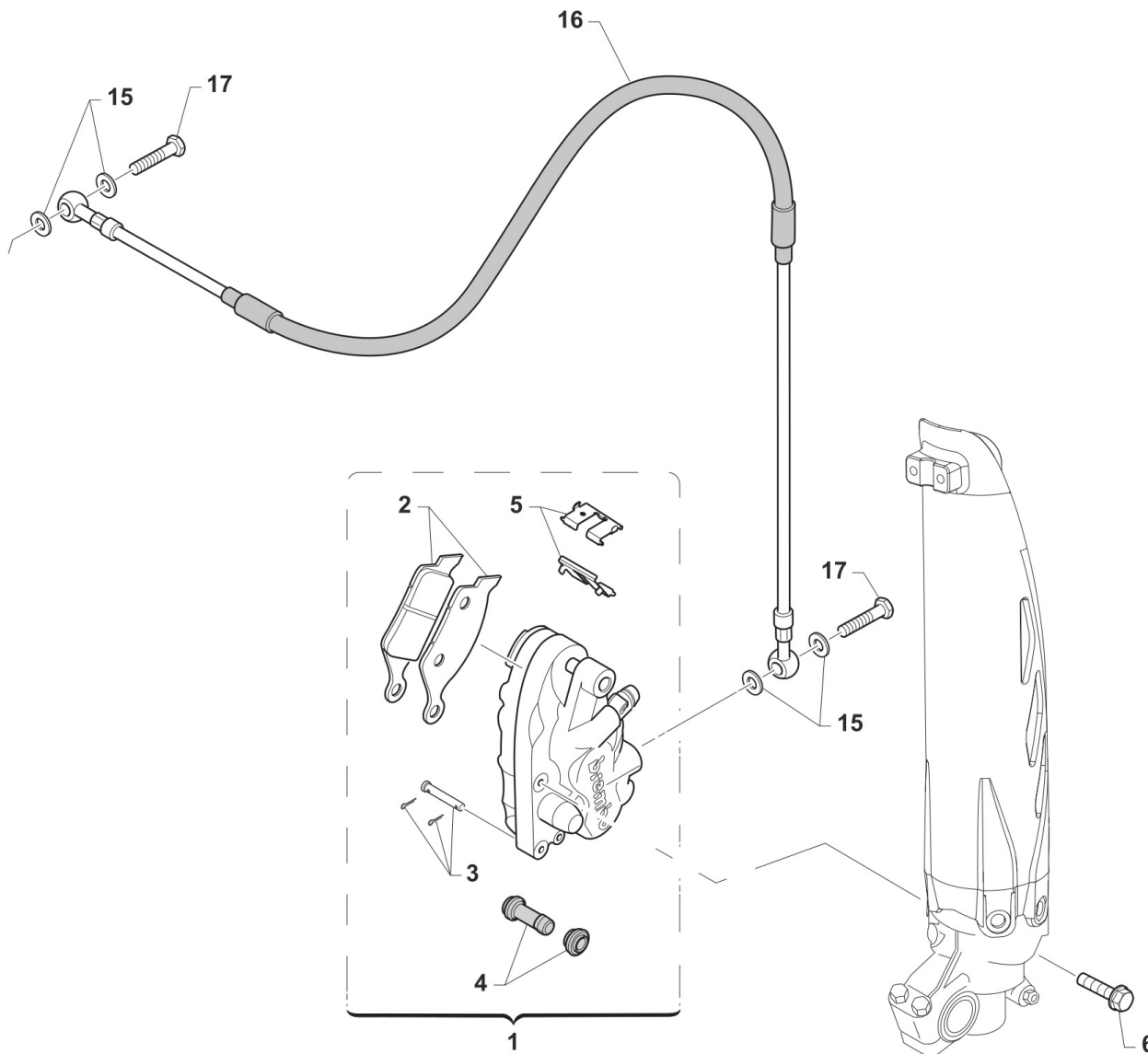
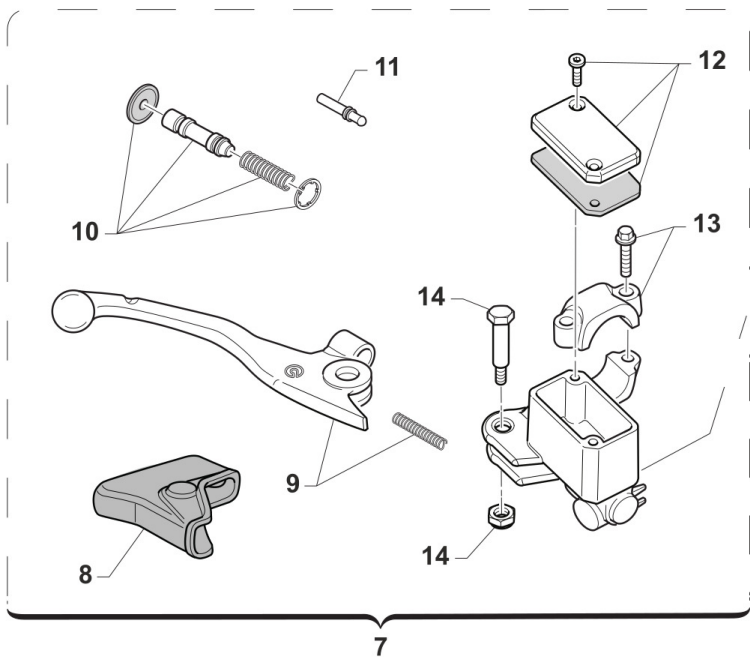


4T450FIFT21-T
TELAIO - FRAME

MANUBRIO
HANDLEBAR

1

1	F64300	1		COMANDO GAS DOMINO 4T	THROTTLE ASSY DOMINO 4S
2	68244	1	E.S.	PULSANTE AVVIAMENTO MOTO ES MY19->	BUTTON, START BIKE E.S. M. 19->
3	F64322	1		CAVO GAS 4T INIEZIONE M.10->	THROTTLE CABLE 4S Fi M.10/->
4	64083	1		MANUBRIO REIKON NERO 9399	HANDLEBAR, BLACK 9399
5	64078.1	1		PARACOLPI MANUBRIO TM 2013 NR	PROTECTION FOR HANDLEBAR TM BLACK
6	F68189	1		PULSANTE DI MASSA MX FI ASAHI	KILL BUTTON FI
7	43044	1		KIT HOT STARTER CPL M08	HOT STARTER ASSY M.08->
8	64240	1		POMPA FRIZIONE BREMBO	CLUCTH MASTER CYLINDER BREMBO
9	64247	1		COPERCH./MEMBRAN.P.FRIZ.BREMBO	COVER/RUBBER CLUTCH MAST.CYL.
10	64249	1		CAVALLOTTO POMPA FRIZIONE BREM	HOLDER CLUTCH MASTER CY.BREMBO
11	64243	1		FLOTTANTE POMPA FRIZ. BREMBO 64240	CYLINDER AND RUBBER MASTER CYL.CLUTCH BREMBO
12	64245	1		PERNO LEVA POMPA FRIZ. BREMBO	PIN
13	64241	1		LEVA FRIZIONE BREMBO RICAMBIO	LEVER, CLUTCH BREMBO
14	64238	1		PARAPOLVERE POMPA FRIZIONE BR.	DUST SEAL,CLUTCH MASTER CYL.BR
15	F64326	1		CAVO COMANDO STARTER X C.FARF.	CABLE, HOT STARTER T/BODY FI
16	64010	1		MANOPOLE COPPIA PRO-GRIP GRI.AZZ.BLU	GRIPS, PRO-GRIP
17	68029	1		COMMUTATORE MAPPE CDI M.DOMINO	SWITCH, ECU MAP CONTROL DOMINO
18	F35503.14	1		TUBO FRIZ.IDR. 250/300/450 '14	HOSE, CLUTCH 250/300/450 14->
19	69034	2		RONDELLA X BULLONE FREN B22001	WASHER B22001, BRAKE HOSE
20	69093	1		BULLONE 10X1 TUBO FRENO BREMBO 03	HOLLOW SCREW M10X1 BREMBO BR.
21	64055	1		PARACOLPI MANUBRIO REIKON	BUMBER, HANDLEBAR
22	64067	1	OPTIONAL	MANUBRIO REIKON JOBA 9017 MX	HANDLEBAR REIKON JOBA 9017 MX
22	64067.1	1	OPTIONAL	MANUBRIO REIKON JOBA 9018 END	HANDLEBAR REIKON JOBA 9018 END
22	64079	1	OPTIONAL	MANUBRIO REIKON JOBA 9012	HANDLEBAR REIKON JOBA 9012





**4T450FIFT21-T
TELAIO - FRAME**

**FRENO ANTERIORE
FRONT BRAKE**

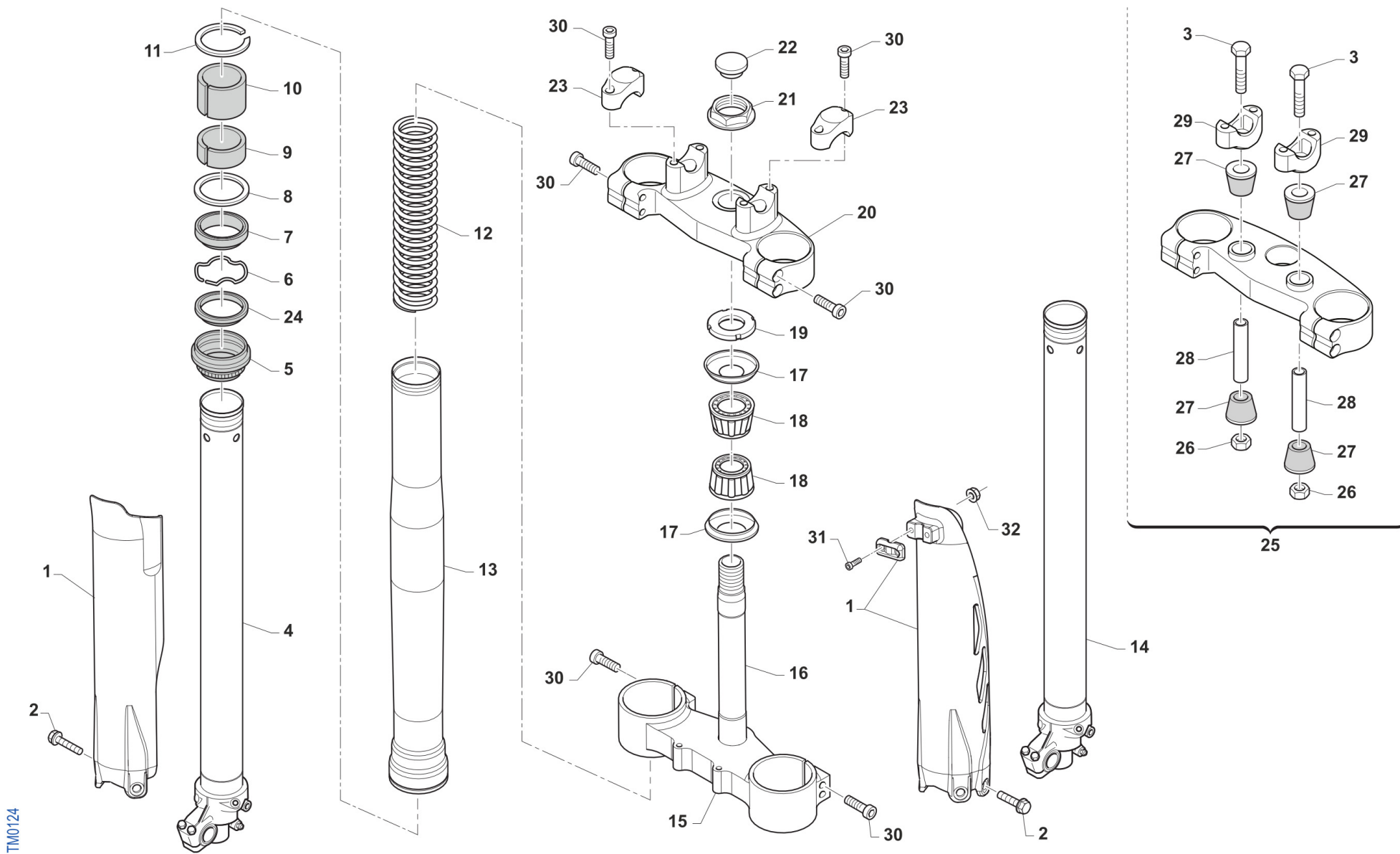
2

1	69222	1	PINZA FRENO ANTERIORE KYB PF2	CALIPER, FRONT BRAKE XKYB PF2
2	69107	1	PASTIGLIE ANTE. M.92/14 BREMBO	PAD KIT, FR BRAKE BREMBO 92/->
2	69117	1	PASTIGLIE ANT.M.92/11 SINT.TOS	PADS, FRONT BRAKE 92->11 SINT.
3	69274	1	PERNO PINZA ANT. 69222	PIN, BRAKE PADS
4	69113	1	CUFFIE PINZA ANT/POST 92/98	COVER, RUBBER CALIPER 92/98
5	69273	1	LAMIERINO PINZA 69222	RETAINER BRAKE PADS 69222
6	49365	2	VITE TE F/R 8X35 Ch.10	BOLT 8X35 T.10mm
7	69248	1	POMPA FRENO ANT PS10/16 BREMBO (opt.JUNIOR)	FRONT MASTER CYLINDER PS 10/16 BREMBO
8	69363	1	CAPPUCCIO POMPA FRENO ANT PS10/16	RUBBER FRONT MASTER CYLINDER BREMBO
9	69357	1	LEVA FRENO ANT BR. X 69248	BRAKE FRONT LEVER BREMBO X 69248
10	69358	1	KIT FLOTTANTE POMPA FREN.69248	CYLINDER AND RUBBER KIT 69248
11	69364	1	PUNTALINO POMPA FRENO ANT PS10/16	PUSH ROD
12	69368	1	TAPPO POMPA FRENO BREMBO 69248	CAP
13	69362	1	CAVALLOTTO POMPA FRENO ANT PS10/16	HOLDER
14	69365	1	PERNO LEVA POMPA FRENO ANT PS10/16	PIN, LEVER
15	69034	4	RONDELLA X BULLONE FREN B22001	WASHER B22001, BRAKE HOSE
16	69060.14	1	TUBO FRENO ANT MX 01/-> WHITE	HOSE,FRONT BRAKE MX M.01 WHITE
17	69093	2	BULLONE 10X1 TUBO FRENO BREMBO 03	HOLLOW SCREW M10X1 BREMBO BR.



4T450FIFT21-T TELAIO - FRAME

FORCELLA FRONT FORK



TM0124



**4T450FIFT21-T
TELAIO - FRAME**

**FORCELLA
FRONT FORK**

1	67224.20	1	MY20	PROTEZ.KIT FORC.USD BLU 2020	FORKS PROTECTIONS USD BLU MY20->
1	67235.20	1	MY20	PROTEZ.KIT FORC.USD BIANCO 2020	FORKS PROTECTIONSUSD WHITE MY20->
2	49571	6		VITE TBCE 6x 7 PROT. FORCELLA	BOLT TBCE 6x7
3	49582	2		VITE TE 10X65 UNI 5737	SCREW EH 10X65
4	72568	1		INNER TUBE COMP RIGHT	INNER TUBE COMP RIGHT
5	72502	2		PARAPOLVERE FORCELLA KYB 48 mm	DUST SEAL KYB FORK 48 mm
6	72525	2		SNAP RING OIL SEAL KYB 48 MM	SNAP RING OIL SEAL KYB 48 MM
7	72501	2		PARAOLIO FORCELLA KYB 48 mm	OIL SEAL KYB FORK 48 mm
8	72526	2		WASHER NEXT TO OIL SEAL KYB 48	WASHER NEXT TO OIL SEAL KYB 48
9	72504	2		SLIDE METAL KYB 48 mm	SLIDE METAL KYB 48
10	72503	2		PISTON METAL KYB 48 mm	PISTON METAL KYB 48
11	72530	2		SNAP RING OUTERTUBE KYB 48 MM	SNAP RING OUTERTUBE KYB 48 MM
12	F72445	2		MOLLA FORCELLA KAYABA 48 K=4.0	SPRING, FORKS KYB 48 K=4.0
12	F72446	2		MOLLA FORCELLA KAYABA 48 K=4.2	SPRING, FORKS KYB 48 K=4.2
12	F72447	2		MOLLA FORCELLA KAYABA 48 K=4.3	SPRING, KYB FORK K 4.3
12	F72448	2		MOLLA FORCELLA KAYABA 48 K=4.4	SPRING, FORKS KYB 48 K=4.4
12	F72449	2		MOLLA FORCELLA KAYABA 48 K=4.6	SPRING, FORKS KYB 48 K=4.6
13	72567.1	2		OUTER TUBE COMP (FODERO) COL. ORO	OUTER TUBE COMP, GOLD
14	72569	1		INNER TUBE COMP LEFT	INNER TUBE COMP LEFT
15	72000.81	1		PIASTRA INF. KYB 48,20	LOWER TRIPLE CLAMP KYB 48,20
16	72031	1		CANOTTO STERZO FERRO END 98/->	STEERING STEM, END. M.98/04
17	72002.02	2		PROTEZIONE CUSC/CANOTTO STERZO M. 02 ->	DUST SEAL, STEERING STEM 02/->
18	03070	2		CUSCINETTO CONICO STERZO 02/->	BUSH, STEERING M. 02/->
19	72008.98	1		GHIERA STERZO FORC.MOTO 98/04	NUT, STEERING BEARING
20	72000.80	1		PIASTRA SUP. KYB 48,20	UPPER TRIPLE CLAMP KYB 48,20
21	49080	1		DADO CANOTTO STERZO 98/-> ALL	NUT, STEERING STEM ALUM 98/->
22	21033	1		TAPPO PLAST.D25 -CANOT.STER.EN	PLASTIC CAP D.25mm STEER. AXE
23	72036.11	2		CAVALLOTTO SUP.M.11 SILVER	UPPER HANDLEBAR M.11 SILVER

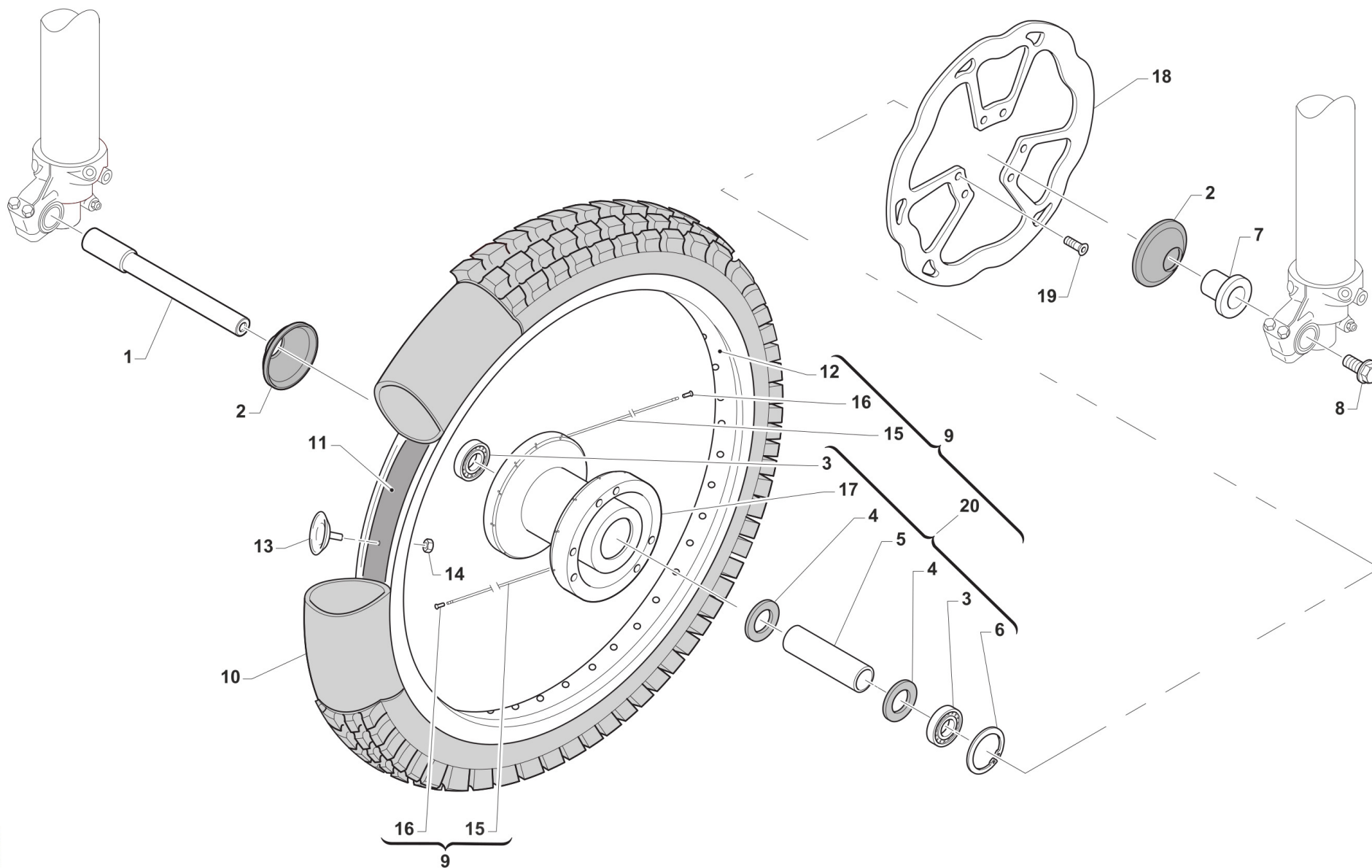


4T450FIFT21-T
TELAIO - FRAME

FORCELLA
FRONT FORK

3

24	72341	2		SCRAPER FORC.KYB R.DEPT	SCRAPER
25	72000.88	1		PIASTRA SUP. KYB 48,20 SB CPL	TOP TRIPLE CLAMP ASSY SB KYB 48,20
26	49646	2		DADO M10 BASSO AUTOBLOCCANTE	NUT, M10 LOW SELF-LOCKING
27	21036	4		GOMMINO CAVAL. ANTIVIB.MANUBRIO MY 05->	RUBBER, HANDLEBAR 05/->
28	26106	2		TUBETTO CAV.ANT.VIB.12X45X10	BUSH, RUBBER, TRIPLE CLAMP
29	72037.11	2		CAVALLOTTO INF. 11 RP SB SILVE	LOWER HANDLEBAR, CNC S.B. M11
30	49502	12		VITE TCEI 8X30	BOLT TCEI 8X30
31	49474	2	MY20	VITE TCEI 5X16 UNI 5931	BOLT TCEI 5X16
32	49629	2	MY20	DADO M 5 ALTO AUTOBLOCCANTE	NUT 5mm, HIGHT SELF-LOCKING



TM0017

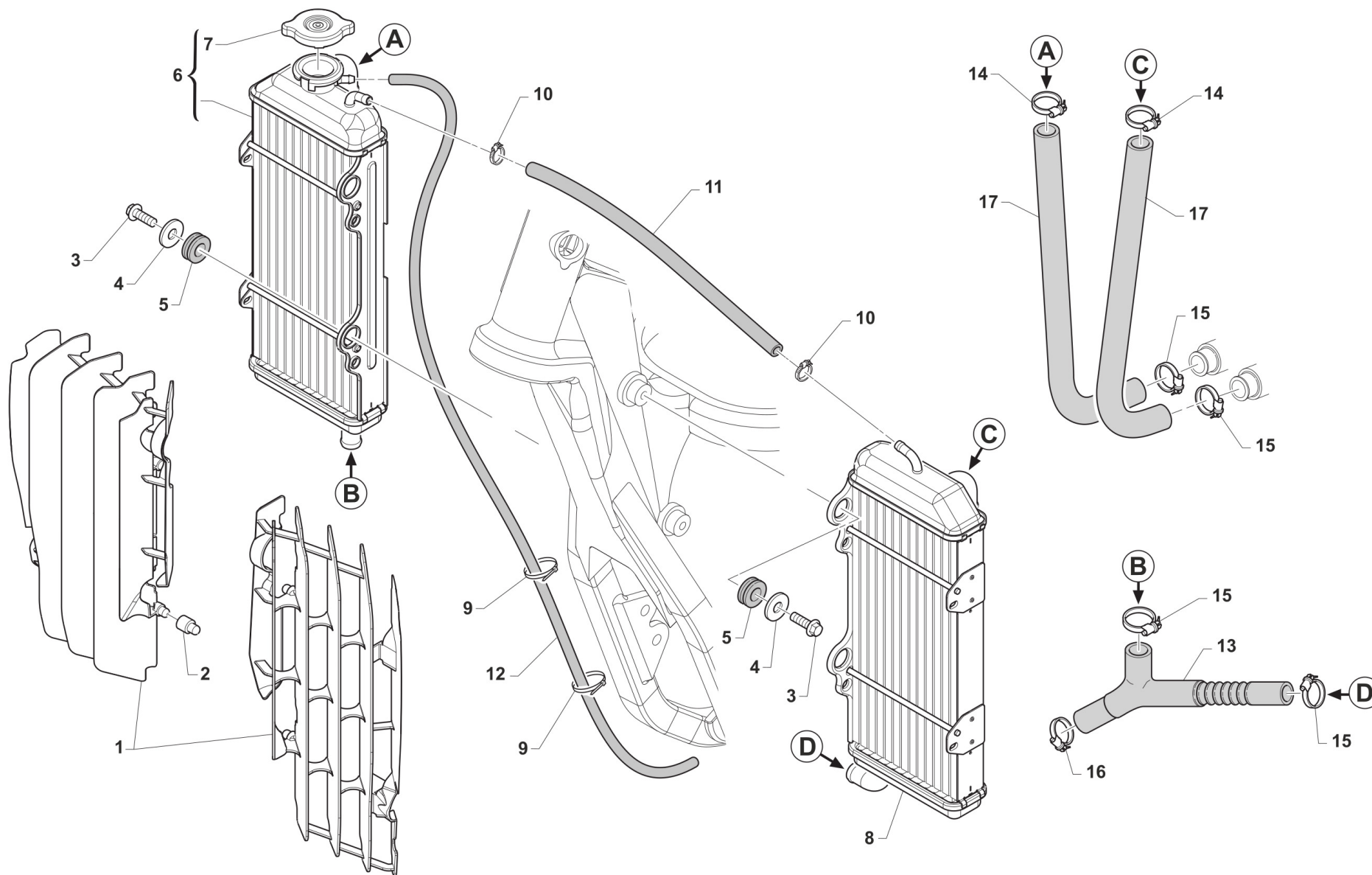


4T450FIFT21-T
TELAIO - FRAME

RUOTA ANTERIORE FT

4

1	74044	1	PERNO RUOTA ANT MA50 07/->	AXLE, FR WHEEL MA50 07/->
2	69998	2	PARAPOLVERE RUOTA ANT. MARZ. KYB 07->	DUST SEAL, FR WHEEL MA50 07/->
3	03071	2	CUSCINETTO RUOTA ANTER. + POSTER.	BUSH, FRONT WHEEL MA50 61905
4	70165	2	RONDELLA GOMMA 42X29X3 D.I.ANT	WASHER, RUBBER 42x29x3
5	70167	1	DIST.INT.R.ANT. MARZOCCHI 07	SPACER INTER.FRONT WHEEL MA.7
6	49250	1	SEEGER I 42 RP 94/96 ANT MARZ.50	CIRCLIP D.42 - REAR WHEEL
7	70166	1	BOCCOLA RUOTA ANT MA50 07/->	SPACER, FR WHEEL MA50 07/->
8	49077	1	DADO PERNO RUOTA ANT M.K.07->	NUT, FR AXLE MA50 M.07/->
9	70293	1	CERCHIO ANT CPL FLAT TRACK 19 X 2.15Raggi 204 (cod.70259)	
10	80152	1	CAMERA ARIA POSTERIORE 19	TUBE, TYRE 19
11	70038	1	FLAP RUOTA POSTERIORE 19	FLAP REAR WHEEL 19
12	70053	1	CERCHIO POST 19x2.15 TAKASAGO BLU	REAR RIM 2.15x19 Takasago
13	70028	1	FERMA COPERTURA POST. 2.15	STOPPER 2.15
14	49640	1	DADO M 8 FLANGIATO CHIAVE 12	NUT 8mm, FLANGE
15	70259	36	RAGGIO R.PST.4.0/3.3/4.0 X 204	SPOKE R.WHEEL 4.0/3.3/4.0 X204
16	70062	36	NIPPLO ACCIAIO 4	SPOKE NIPPLE 4 mm
17	70181	1	MOZZO ANT MA50/KYB EN/MX R4 NUDO	HUB, FR WHEEL
18	69260	1	DISCO FRENO ANT.2015 270x70,5	BRAKE, FRONT DISK 15->
19	49370	6	VITE TE F/R 6X12	BOLT 6X12
20	70188	1	MOZZO ANT MA50/KYB EN/MX R4 CPL	FRONT HUB MARZ. 2010 --> ASSY



TM0060

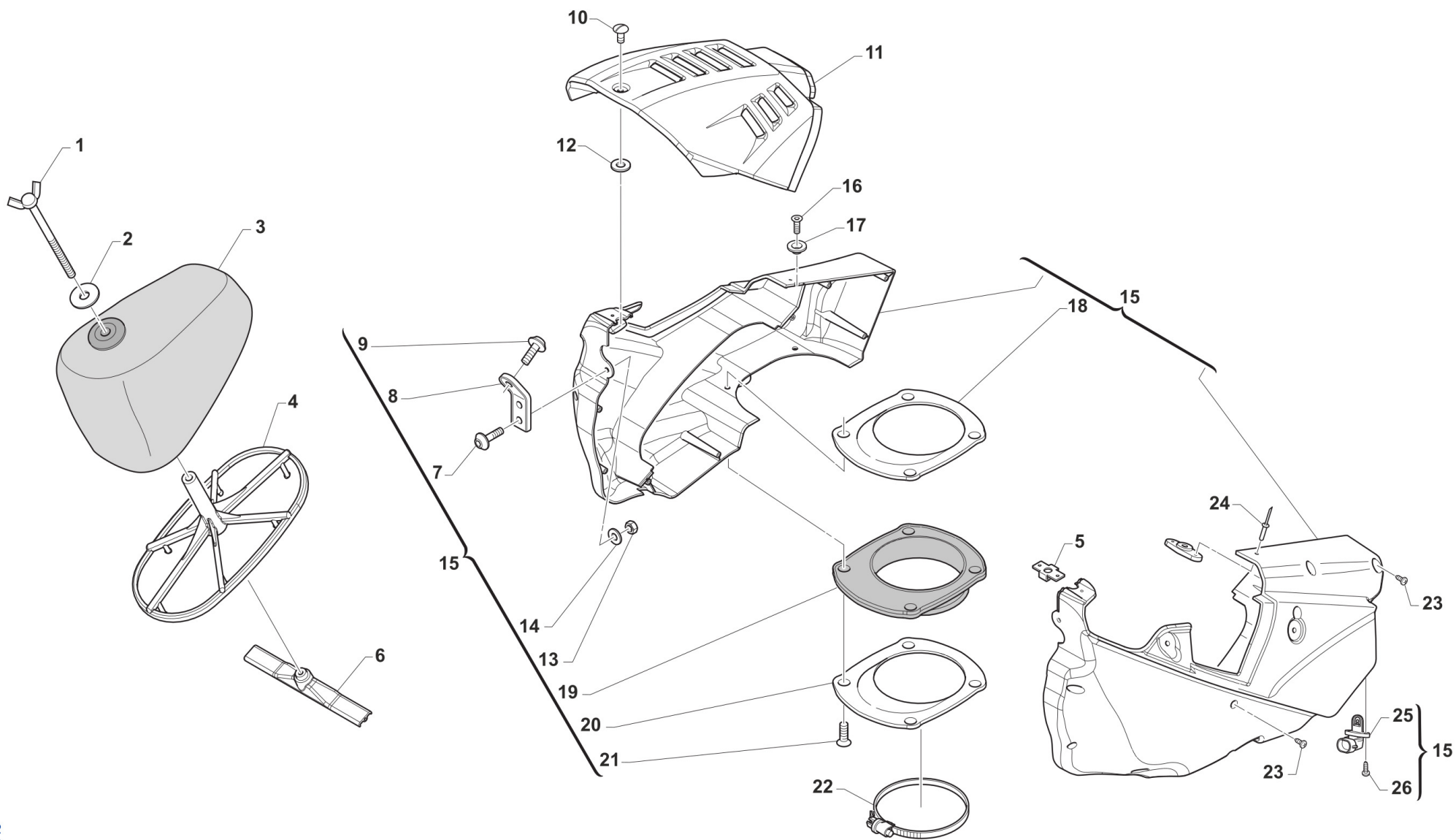


**4T450FIFT21-T
TELAIO - FRAME**

**RADIATORI
RADIATORS**

5

1	F23321	1	KIT PROTEZ.RAD.TM 2012 CPL BLU	GUARD ASSY RADIATOR 12/-> BLUE
1	F23323	1	KIT PROTEZ.RAD.TM 2012 CPL BNC	GUARD ASSY RADIATOR M.12-> WHITE
2	F23303	4	BOCCOLA PROT.RADIAT 4T M.03/09	SPACER, RAD. PROTECTION 03/->
3	49355	4	VITE TE F/R 6X16 Ch.8	BOLT 6X16 T.8
4	26084	4	RONDELLA PARAF ANT. 24x2 M.08	WASHER, FRONT FENDER 24 X 2
5	21102	4	GOMMINO ANTIV.RADIAT.SILENZ. MY 94->	RUBBER, GROMMET RADIATOR and SILENC.
6	F23316	1	RADIATORE DX 4T 12 CAN.08->TAP	RADIATOR, RH 4S 12CH 08/-> CAP
7	23010	1	TAPPO RADIATORE 1,4	CAP 1.4, RADIATOR
8	F23317	1	RADIATORE SX 4T 12 CAN. 08->	RADIATOR, LH 4S 12CH 08/->
9	51037	2	FASCETTA NYLON 200 X 3,6	NYLON CLAMP
10	51014	2	FASCETTA INOX 9 - 14 H5 IMBUT	BAND, INOX 9-14 H5 IMBUT
11	67036		TUBO ANTIBENZINA 8 x 14 OLIO F.P.	HOSE, OIL/FUEL 8x14
12	67170		TUBO COPOLAN GRIGIO 5x9 mm	HOSE, COPOLAN GREY 5x9 mm
13	F21408.1	1	MANIC.COLL.RAD.DX-SX A POMPA H	HOSE JOINT, RAD/WATER PUMP
14	51062	2	FASCETTA A COLLARE DIAM.22 ZN	CLIP, WATER HOSE, d.22 ZN
15	51036	4	FASCETTA A COLLARE DIAM.24 ZN	CLIP, WATER HOSE, d.24 ZN
16	51078	1	FASCETTA SM9 D.30	CLAMP SM9 D.30
17	F21413.1	2	MANICOTTO ACQUA RADIATORE 05->	WATER HOSE RADIATOR M.2005



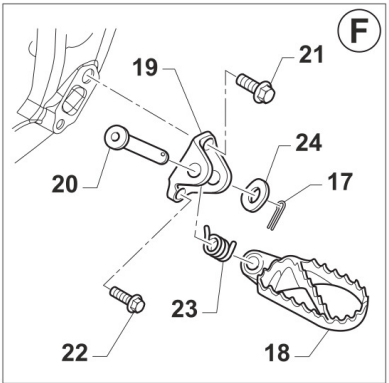
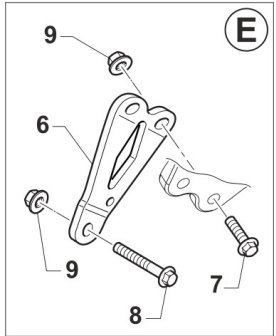
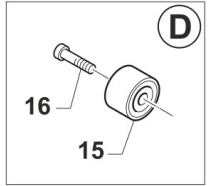
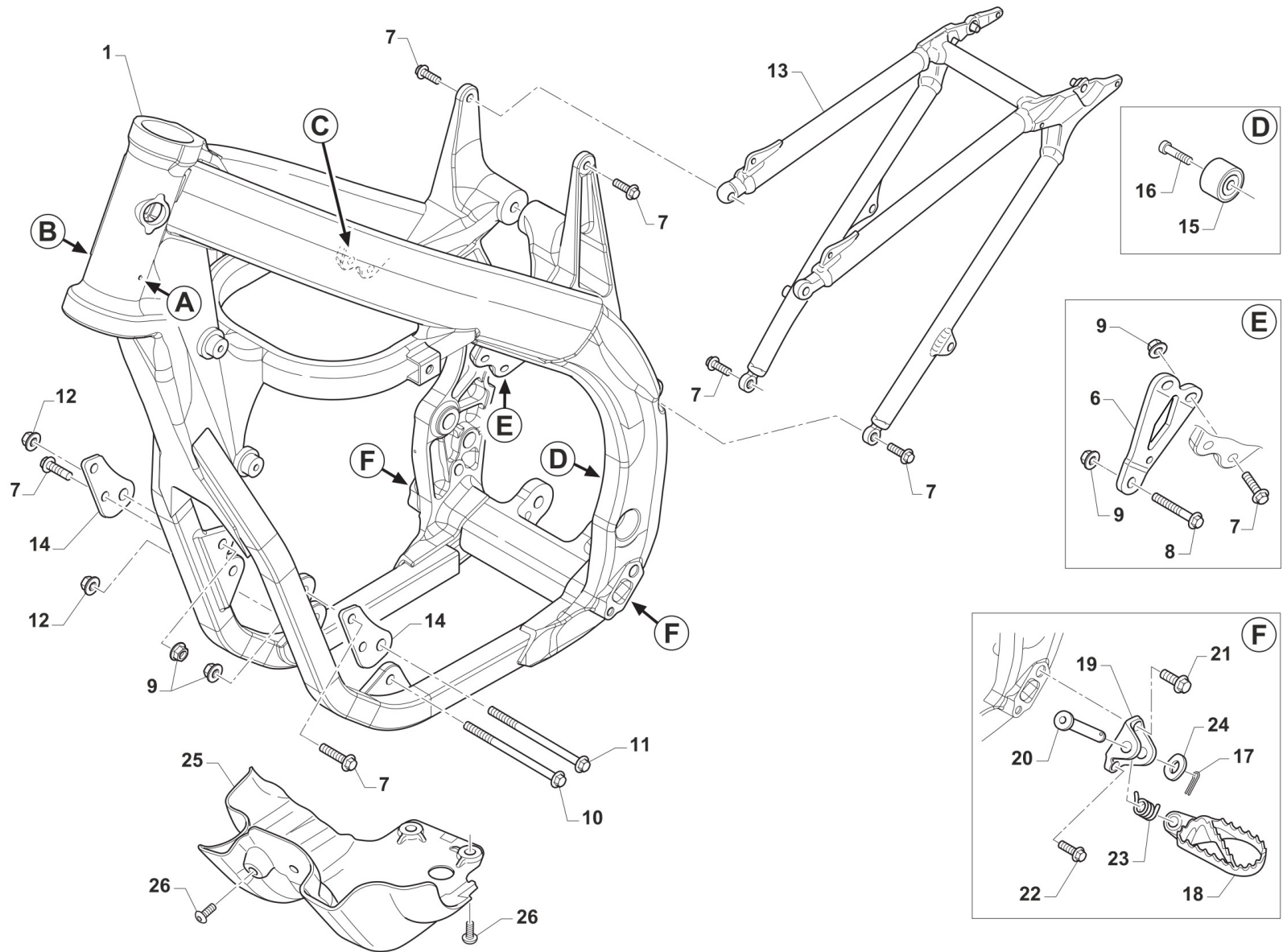
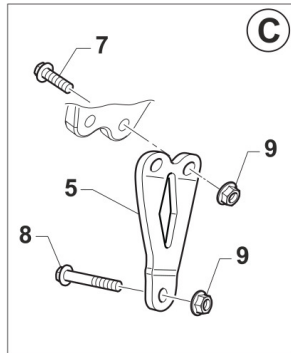
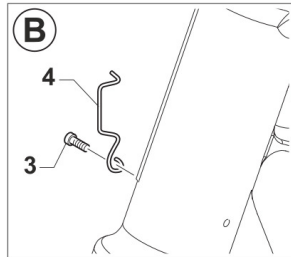
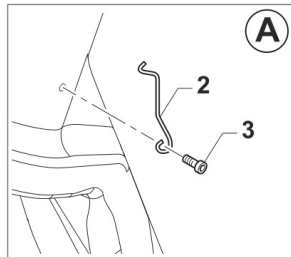


**4T450FIFT21-T
TELAIO - FRAME**

**FILTRO ARIA
AIR FILTER**

6

1	49418	1	GALLETTO C/PERNO FILTRO 6x102	SPECIAL BOLT AIR FILTER M6X102
2	49621	1	RONDELLA 6X24 ZINC.ATT.FILTRO	WASHER 6X24
3	66065	1	FILTRO ARIA 4T EN/MX/SMX M15->	AIR FILTER 4S MX/END M.15->
4	F66521	1	GABBIA FILTRO 4T M15	AIR FILTER GUIDE 4S M15->
5	49924	1	RICETTACOLO D8-336-400-121	PIN D8-336-400-121
6	F67137	1	STAFFA X GABBIA FILTRO 4T M15	PLATE, AIR FILTER CAGE 4S 15->
7	49574	2	VITE TBCE 6X12 PROT.FORCELLA	BOLT TBCE 6x12
8	26082	1	PIASTRINO PL.SERBATOIO M 08/10	PLASTIC PLATE TANK M.08->10
9	F49822	1	VITE ES.FLANG.M6X12 T.AL.M08	BOLT, 6X12 AL. FRAME M.08->
10	49925	1	SPINOTTO D8-316-110-190 CORTO	PIN D8-316-110-190 SHORT
11	F67136	1	COVER CASSA FILTRO 4T MY15 NERA	COVER AIR BOX 4S MY15-> BLACK
11	F67141	1	COVER CASSA FILTRO 4T MY15 BIANCA	COVER AIR BOX 4S MY15-> WHITE
12	49923	1	RONDELLA D8-326-100-040	WASHER D8-326-100-040
13	49637	1	DADO M 6 BASSO AUTOBLOCCANTE	NUT, M6 LOW SELF-LOCKING
14	49117	1	RONDELLA 18X6.5X2 X RADIAT.08	WASHER 18X6.5X2 RADIATOR 08
15	F67142	1	CASSA FILTRO 4T MY15 SX/DX CPL	AIR BOX 4S M.15-> LH/RH ASSY
16	49404	1	VITE TSEI 6X16	BOLT TSEI 6x16
17	26083	1	BOCCOLA FISS.SELLA/SERBAT. M08	BUSH, FIX SEAT / TANK M.08->
18	F67139	1	FLANGIA CUFFIA C.FILT.4T M15 I INTERNA	FLANGE, INTERNAL
19	F66520	1	CUFFIA CASSA FILTRO 4T 2015	AIRBOOT, 4S MY15
20	F67139.1	1	FLANGIA CUFFIA C.FILT.4T M15 E ESTERNA	FLANGE, EXTERNAL
21	49402	4	VITE TSEI 5X20	BOLT TSEI 5X20
22	51006	1	FASCETTA 92/112	CLAMP 92/112
23	49872	9	VITE TMT+PZ 3X20 PER PLASTICA	SCREW 3X20
24	49888	2	RIVETTO ACC. 3 X12	RIVET 3X12
25	F08004	1	SENSORE TEMP. ARIA ATS 05	SENSOR, AIR TEMPERATURE ATS05
26	49304	2	VITE T.C. 3X12	BOLT

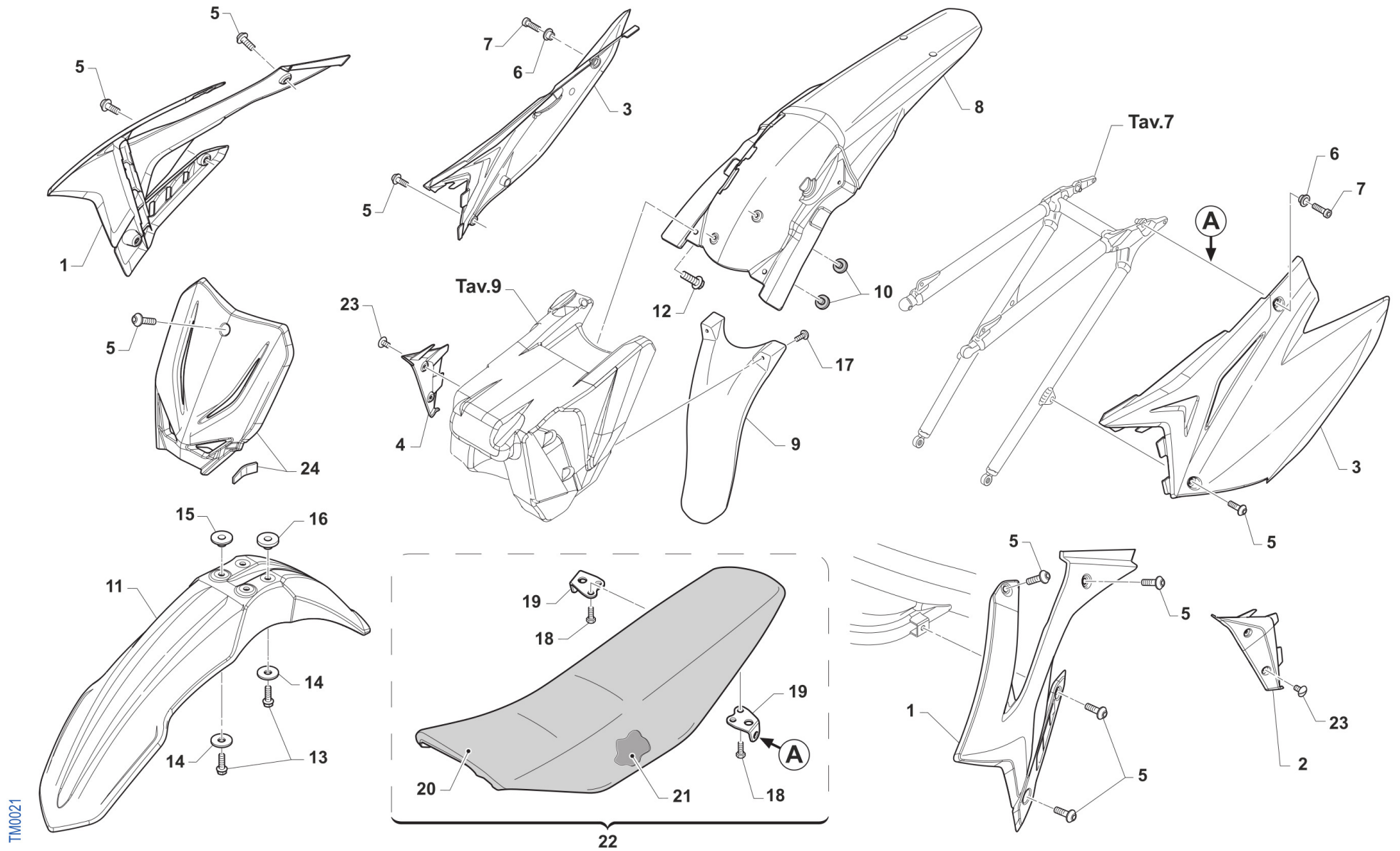




4T450FIFT21-T
TELAIO - FRAME

TELAIO
FRAME

1	F73462	1	TELAIO MOTO 15 4T AL 450 MX	FRAME 4S AL 450/530 MX M.15/16
2	16021	1	MOLLA PASSAGGIO CAVI MOTO (SX)	GROMMET BIKES LF
3	49597	2	VITE TBCEI 4 x 8 UNI 7380	BOLT TBCE 4 x 8
4	16023	1	MOLLA PASSAGGIO CAVI MOTO M.08	SPRING, CABLES
5	F26441.15	1	PIAST. SUP FIS. MOT. 450 Fi 15 DX	
6	F26440.15	1	PIAST. SUP FIS. MOT. 450 Fi 15 SX	
7	49364	12	VITE TE F/R 8X25 Ch.10	BOLT, EH 8X25 To.10 mm
8	49365	2	VITE TE F/R 8X35 Ch.10	BOLT 8X35 T.10mm
9	49680	8	DADO M 8 X 1,25 CH 12 FLANG. AUTOBLOCK	NUT, M 8X1,25 FLANG. SB
10	49789	1	VITE ES.FL.M10X1.25X131 T.AL08	BOLT M10X1,25X131 ALU FRAME
11	49352	1	VITE TE F/R 10X125 1.25 Ch.10	BOLT SPECIAL 10X125 1.25 T.13
12	F49962	2	DADO M 10 X 1,25 CH 14 FLANGIATO	NUT, M10 X 1,25 KEY 14
13	F73465	1	CODINO TELAIO M. 2015 4T	REAR SUB-FRAME 4S MY 15/->
14	F26437	2	PIASTR.INF.FISS.MOT.4T 08 T.AL	
15	67088.08	1	ROTELLA CATENA M. 08/->	CHAIN ROLLER 08/->
16	49725	1	VITE TCEI M8X25 SPEC. ROT.CAT.SUP.08	BOLT CHEI 8X25 UPPER CHAIN ROL
17	73036	2	COPIGLIA PEDANA M. 92/01	COTTER PIN FOOTPEG 92/01
18	73048.10	1	PEDANA DX MOD. 2010	FOOTPEG, RIGHT M.10->
18	73049.10	1	PEDANA SX MOD. 2010	FOOTPEG, LEFT M.10->
19	00692	2	PIASTRINO TELAIO AL.ATT.PED.08	HOLDER, FOOTPEGS, M. 08/->
20	73064	2	PERNO PEDANE M.08-> X T.ALLUM.	PIN, FOOT PEG, 08/->
21	49382	2	VITE ESAG.FLANG.M12X25 T.A.	BOLT 12 X 25 FLANGE
22	49383	2	VITE ESAG.FLANG.M8X1.25X20 T.A	BOLT 8 X 20 FLANGE
23	16022	2	MOLLA RITORNO PEDANE M.08/->	SPRING, FOOT PEG PIN 08/->
24	49612	2	RONDELLA ACCIAIO 10	STEEL WASHER 10
25	F50827	1	PARAMOTORE 450/530 MX/EN 2011	GUARD ENGINE 450/530 MX/EN->11
26	F49861	4	VITE PARACOPPA E.I. M6X16 FL.	BOLT, GUARD ENGINE 6X16



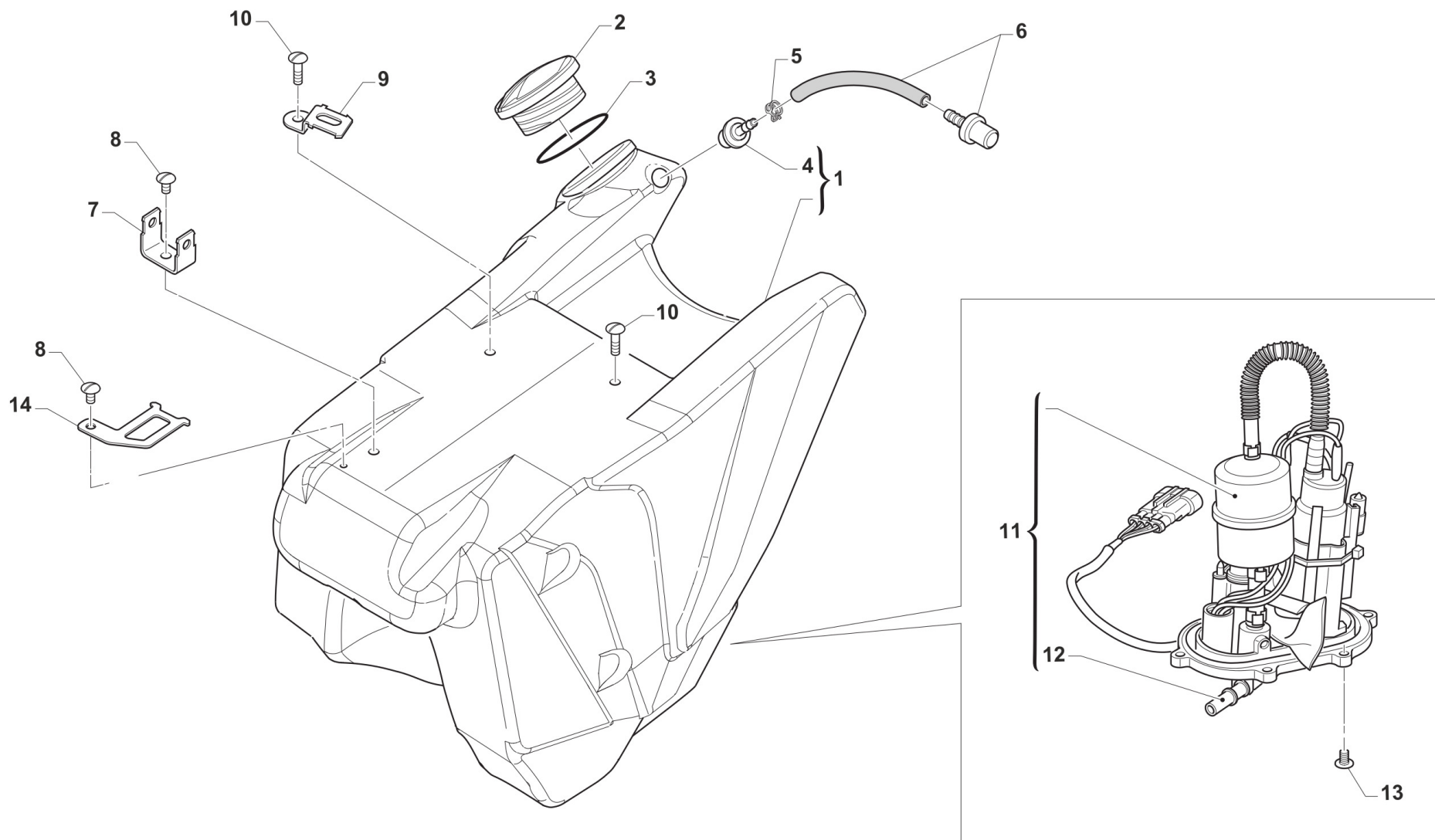
TM0021



**4T450FIFT21-T
TELAIO - FRAME**

**PLASTICHE
SEAT AND PLASTICS**

1	67271.15	1	SET CONV. ARIA 4T 2015 + 2T Fi BIANCHI	SHROUDS RAD. 4S RH+LH 15 WHITE
2	F67133	1	ALETTA SERBATOIO 4T MY15 SX	TANK PROTECTION F.S. M15-> L.
3	67273.15	1	SET LAT P.NUM 4T 2015 BIANCHI 67250.15 + F67130	SIDE PANELS RH+LH 4S '15 WHITE
4	F67132	1	ALETTA SERBATOIO 4T MY15 DX	TANK PROTECTION F.S. M15-> R.
5	49574	11	VITE TBCE 6X12 PROT.FORCELLA	BOLT TBCE 6x12
6	26059	2	BOCCOLA FISS.SELLA & LAT.03/->	COLLAR, SEAT/SIDE PANEL 03/->
7	49484	2	VITE TCEI 6X20	BOLT TCEI 6X20
8	67251.15	1	PARAFANGO POST. MY15 BIANCO	MUDGUARD, REAR M.15-> WHITE
9	67233	1	PROTEZIONE MONO R.C. / MY2015	MONOSHOCK PROTECTION R.D. 15->
10	21135	2	GOMMINO PARAFANGO POST MY 15 ->	RUBBER
11	67131.12	1	PARAFANGO ANT 12/-> BLU	MUDGUARD, FRONT 2012 BLU
11	67216.12	1	PARAFANGO ANT 2012 BIANCO	MUDGUARD, FRONT 2012 WHITE
12	49356	2	VITE TE F/R 6X20 Ch.8	BOLT 6X20 T.8
13	49356	4	VITE TE F/R 6X20 Ch.8	BOLT 6X20 T.8
14	26084	4	RONDELLA PARAF ANT. 24x2 M.08	WASHER, FRONT FENDER 24 X 2
15	26132	2	BOCCOLA PARAF. ANT. M12	BUSH, FRONT MUDGUARD M.12->
16	26157	2	BOCCOLA PARAF. ANT. 2016 25 X 8 F.6,5	BUSH, FRONT MUDGUARD M12 HIGHT
17	49317	2	VITE TB LARGA 5X10 LAT.SERB.94	BOLT TB LARGE 5X10
18	49435	4	VITE TE 5X12	SCREW TE 5X12
19	73047	2	PIASTRINO AL ATT.SELLA POSTER.	PLATE AI REAR SEAT HOLDER
20	67275	1	COPERTINA SELLA MX/EN 4T 2015	SEAT COVER MX/END 4T 2015
21	67276	1	SPUGNA SELLA 4T M. 2015	FOAM, SEAT F.S. M.15->
22	67282	1	SELLA CROSS / END 4T M.15-> ALTA	
22	F67140	1	SELLA CROSS/ENDURO MOD.15-> 4T	SEAT MX/ENDURO 4S M.15->
23	49317	4	VITE TB LARGA 5X10 LAT.SERB.94	BOLT TB LARGE 5X10
24	67177.15	1	PORTANUMERO ANT MX M15 CPL BLU	FRONT NUMBER PLATE MX 15 BLUE
24	67217.15	1	PORTANUMERO ANT MX M15 CPL BNC CON FERMACAVO	NUMBER PLATE MX M.15 WHITE

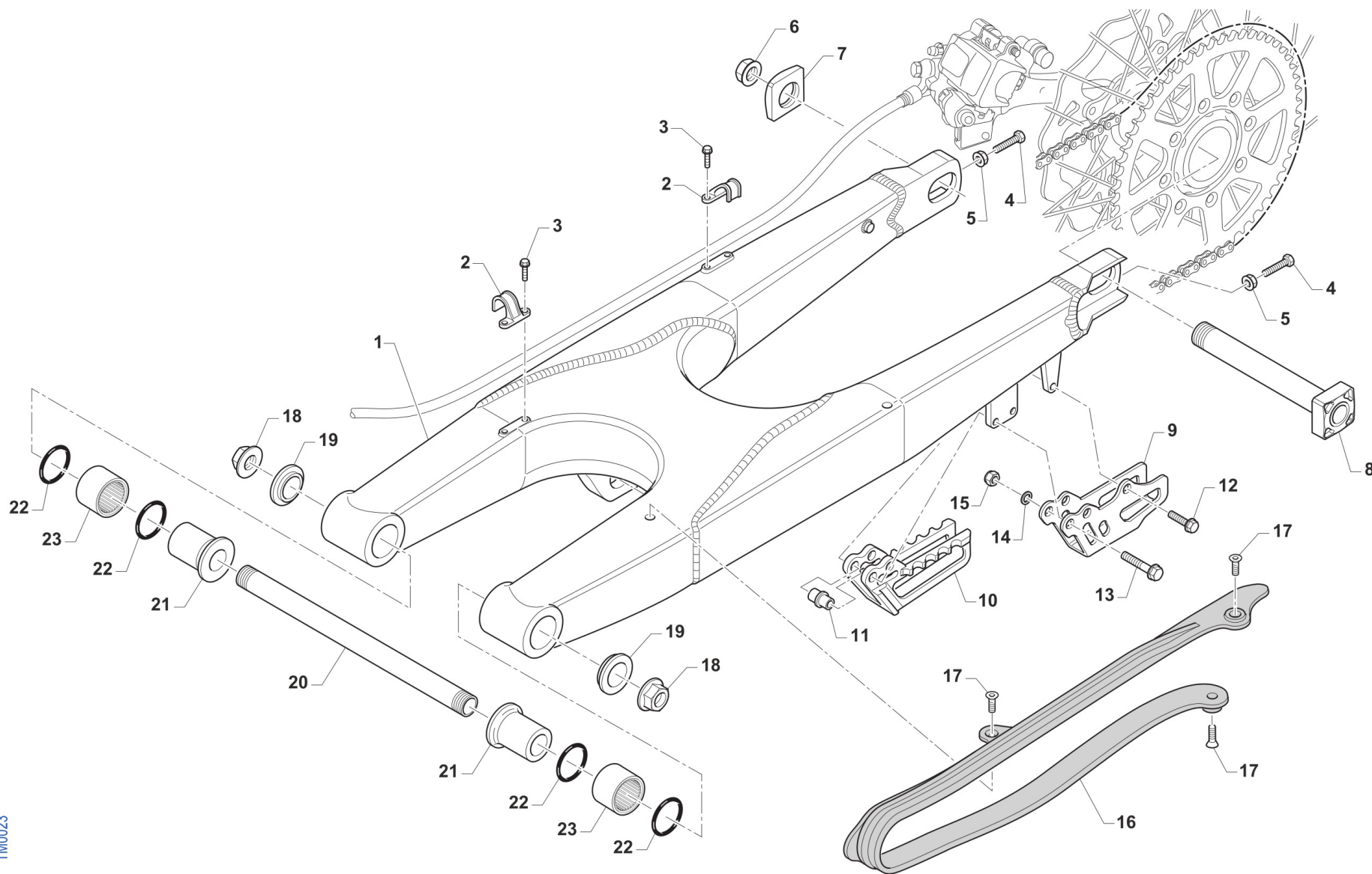




**4T450FIFT21-T
TELAIO - FRAME**

**SERBATOIO
FUEL TANK**

1	F65131	1		SERBATOIO BENZ.IE TRSP M15	TANK FUEL WHITE F.INJECT.M.15
2	F65129	1		TAPPO SERBATOIO PST. 4T M15	CAP, REAR FUEL TANK F.STR.->15
3	12039	1		O RING X TAPPO SERBATOIO 4T 15	O-RING TANK CAP F.S. 15->
4	65035	1		KIT GOMMINO+SFIATO BIANCO X SERBATOIO 4T M.15->	JOINT AND RUBBER KIT, FUEL TANK
5	16026	1		MOLLA PER TUBO BENZINA 13,3mm	SPRING, FUEL HOSE 13mm
6	65032	1		SFIATO SERBATOIO BENZ. 4T M.15-> BLU	BREATHER FUEL TANK F.STROKE M.15-> BLUE
7	F68108	1	E.S.	SUPPORTO RELE' STARTER F68102	ELECTRIC STARTER RELAY HOLDER
8	49317	1		VITE TB LARGA 5X10 LAT.SERB.94	BOLT TB LARGE 5X10
9	F26578	1	E.S.	SUPPORTO RELE' X E.S. 2015	
10	49374	2		VITE TB LARGA 5X20	BOLT TB 5X20
11	F08348	1		GRUPPO ASP.CARB.3.5BAR S/TERM.	
12	F08122	1		RACC.MASCHIO GR.P.BENZ.BITRON	JOINT, FUEL PUMP Fi
13	49754	6		VITE TBCIX 5X20	BOLT TBCIX 5x20
14	26119	1	K.S.	PIASTRINO FISS. CONDENS. 2010	HOLDER, CONDENSER



TM0023

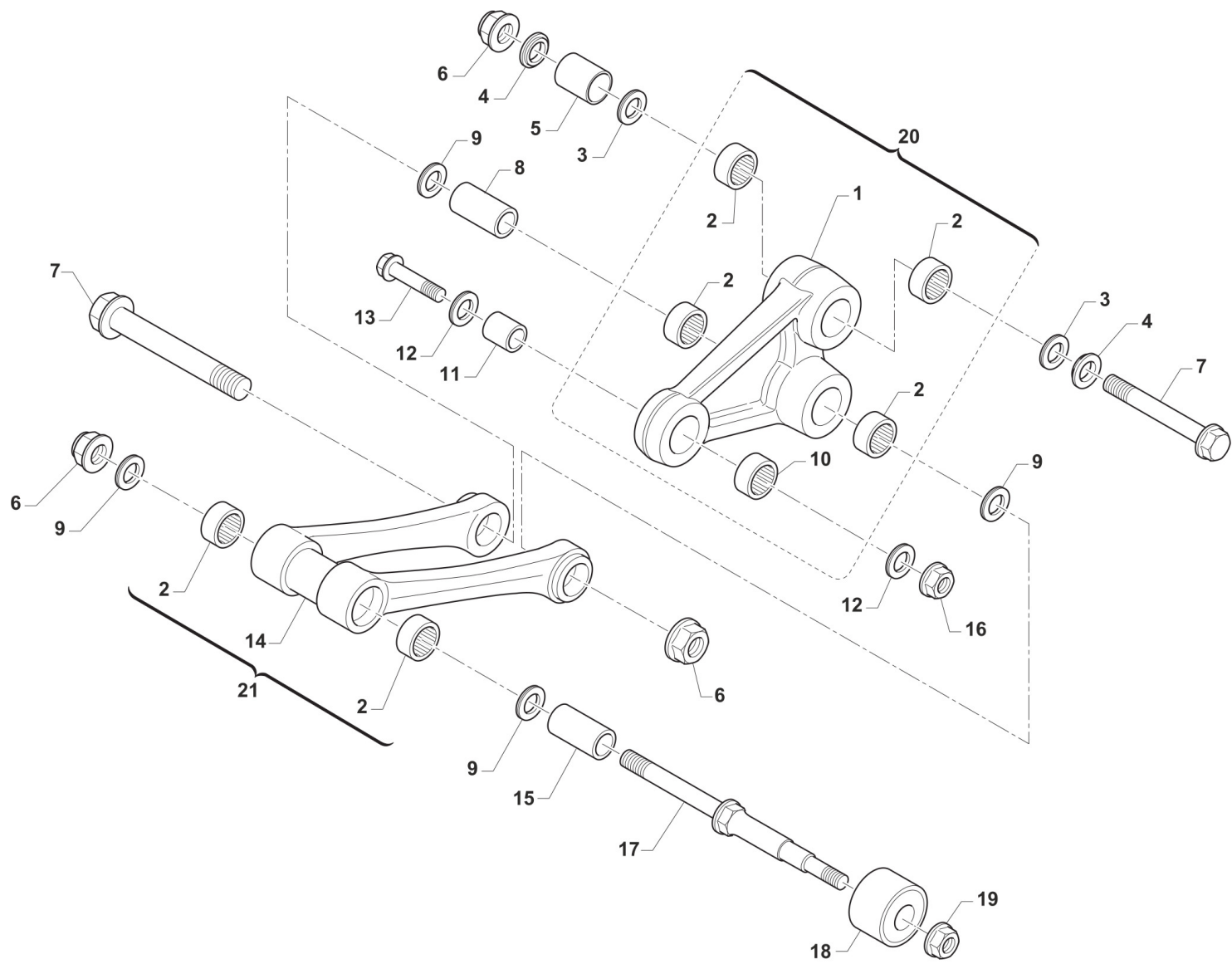


**4T450FIFT21-T
TELAIO - FRAME**

**FORCELLONE
SWINGARM**

10

1	F73474	1	FORCELLONE MOTO 4T M. 2016	SWINGHARM 4S M.16->
2	67054	2	FERMA TUBO FRENO POST. M.97/->	RETAIN CLAMP BRAKE HOSE 97/->
3	49794	4	VITE AUTOFOR. 4.8X16 7504	BOLT, 4,8 X 16 7504
4	F49976	2	VITE TE 8X45 ES.10 FORCELLONE	SCREW TE 8X45 SWINGARM
5	49640	2	DADO M 8 FLANGIATO CHIAVE 12	NUT 8mm, FLANGE
6	49123	1	DADO PERNO RUOTA POST. M.2015	NUT, REAR WHEEL AXLE 15 ->
7	70140.15	1	TENDICATENA 2015 SENZA FILETTO	ADJ BLOCK, CHAIN 15-THREADLESS
8	74055.15	1	PERNO RUOTA POSTERIORE M.15->	AXLE, REAR WHEEL M.15->
9	73130	1	PASSACATENA ALLUM. MOD. 11/->	PLATE, CHAIN GUIDE M. 11/->
10	67102.10	1	PASSACATENA NYLON MOD.2011	GUIDE, CHAIN M. 11/->
11	26092	1	BOCCOLA PASSACATENA M.11->	BUSH, CHAINGUIDE M11->
12	49370	1	VITE TE F/R 6X12	BOLT 6X12
13	49362	2	VITE TE F/R 6X50 Ch.8	BOLT 6X50 T.8
14	49603	2	RONDELLA M 6,4 X 12 X 1,6	WASHER 6x12
15	49638	2	DADO M 6 ALTO AUTOBLOCCANTE	NUT 6mm, HIGHT SELF-LOCKING
16	67099.15	1	PROTEZIONE FORCELLONE M.2015	SWINGHARM PROTECTION M.2015
17	49396	3	VITE TSEI 5X10	BOLT TSEI 5X10
18	49095	2	DADO 16 FORCELLONE MOTO 95/10	NUT, SWINGARM AXLE M. 95/05
19	73115	2	COPERCHIO BOCCOLA FORC. M08->	COLLAR, SWINGARM M.08
20	74056	1	PERNO FORCELLONE MOD. 08/->	AXLE SWINGARM M. 08->
21	73112	2	BOCCOLA FORC. 08/-> F16(30X49)	BUSH, SWINGARM 08-> H.16 30X49
22	12102	4	O RING LEVERAGGIO & FORCELLONE	O-RING, LINKAGE & SWINGARM
23	19043	2	ASTUCCIO A RULLI HK 20/30	NEEDLE CAGE HK 20/30



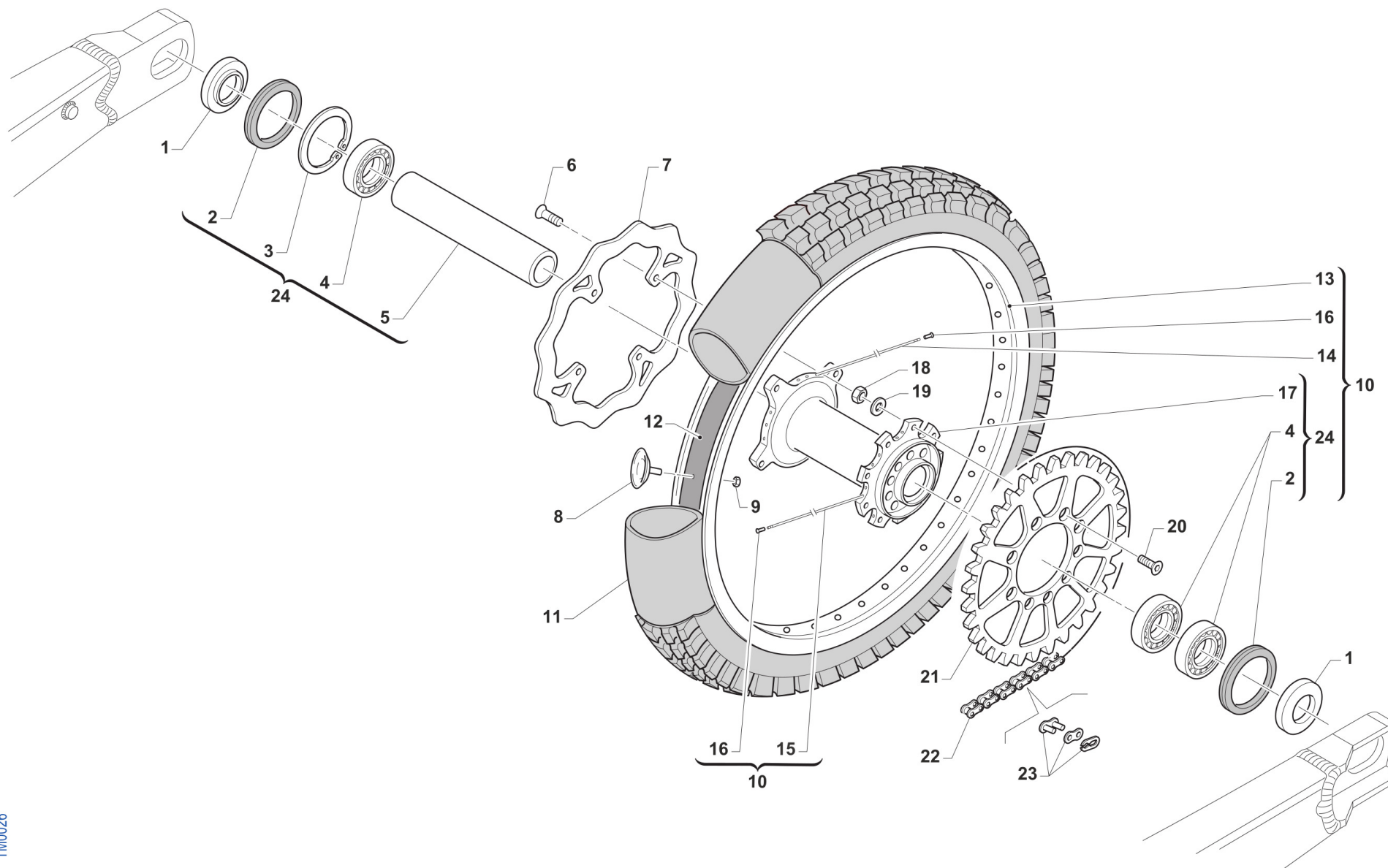
TM0024



4T450FIFT21-T
TELAIO - FRAME

LEVERAGGI
LINKAGE

1	73145	1		TRIANGOLO SOSP. MY 15/22 NUDO	ARM
2	19106	6		GABBIA A RULLI 26X20H16 TR.FO.	BUSH NEEDLE CAGE 26 X 20 H16
3	12010	2		O RING ORM 0240-30 TRIANG.05/6	O-RING, LINKAGE 05/6 ORM 0240-30
4	73075	2		COPERCHIO BOCCOLA TRIANG '05	COVER, BUSH
5	73211	1		BOCCOLA TRIANGOLO LEVER.05/->	BUSH, ARM RELAY 12X20X38
6	49682	3		DADO M12X1,25 FLANG.AUTOBL.AC	NUT, M 12 x 1,25 FLANGE SL
7	49345	2		VITE TE F/R 12X90 1.25 Ch13	BOLT TE F/R 12X90 1.25 T.13
8	F73416	1		BOCCOLA TRIANG. 20x48F12 05/->	COLLAR, ROD M.04 12x20x48
9	12102	4		O RING LEVERAGGIO & FORCELLONE	O-RING, LINKAGE & SWINGARM
10	19101	1		GABBIA RULLI DL 18/12 TRIANG.	BUSH NEEDLE CAGE DL 18/12
11	73214	1		BOCCOLA 18 X 20 F.10 TRIANGOLO 07/->	COLLAR, ARM ASSY 10 18X20 M.07
12	F12312	2		O RING FILTRO OLIO P.ASPIRAZ.+LEV.	O-RING, OIL FILTER
13	49347.1	1	MONO TM	VITE TE F/R 10X43 1.25 Ch.13	BOLT TE F/R 10X43 1.25 T.10
13	49791	1	MONO SACHS/OHLINS	VITE TE F/R 10X39 1.25 T.AL08	BOLT, M10X1.25X39 ALU.FRAME08
14	73144	1		TRAPEZIO SOSP. MY 15/22 NUDO	CONROD LINKAGE MY.15
15	73204	1		BOCCOLA TRAPEZIO 20 x 74 F.12	BUSHING 20x74x12, ROD SUSP. 05
16	F49962	1	MONO TM	DADO M 10 X 1,25 CH 14 FLANGIATO	NUT, M10 X 1,25 KEY 14
17	49790	1		PERNO SNODO BIELLA/ROT.CAT.M08	PIVOT, LINKAGE/ROLLER 08/->
18	67088.08	1		ROTELLA CATENA M. 08/->	CHAIN ROLLER 08/->
19	49676	1		DADO M 6X1 FLANG. AUTOBL.ACC.	NUT, FLANGED M6 X 1 S.B.
20	73016.15	1		TRIANGOLO SOSP. MY 15/22 CPL	ARM ASSY RELAY M.Y.2015
21	73059.15	1		TRAPEZIO SOSP. MY 15/22 CPL	ROS, ASSY



TM0026



4T450FIFT21-T
TELAIO - FRAME

RUOTA POSTERIORE FT

12

1	70241	2	DISTANZ. RUOTA PST. 2015 DX/SX	COLLAR REAR WHEEL LE.RI. 15->
2	04074	2	PARAPOLVERE RUOTA POST. MOD.15->	DUST SEAL, REAR WHEEL 15 ->
3	49257	1	SEEGER I 43 mm	CIRCLIP D. 43 INTERNAL
4	03071	3	CUSCINETTO RUOTA ANTER. + POSTER.	BUSH, FRONT WHEEL MA50 61905
5	70240	1	DIST.INT.MOZZO RUOTA PST.15 3C 114,2x31 SP2.7	SPACER INT.REAR WHEEL M.15->
6	49443	4	VITE TE 6X16 (10.9)	SCREW TE 6X16
7	69261	1	DISCO FRENO PST.2015 240x114 DF840W	DISC, REAR BRAKE 15-> 240X114
8	70028	1	FERMA COPERTURA POST. 2.15	STOPPER 2.15
9	49640	1	DADO M 8 FLANGIATO CHIAVE 12	NUT 8mm, FLANGE
10	70295	1	CERCHIO PST CPL FLAT TRACK 19 X 2.50Raggi LC 240 - LF 199	
11	80152	1	CAMERA ARIA POSTERIORE 19	TUBE, TYRE 19
12	70038	1	FLAP RUOTA POSTERIORE 19	FLAP REAR WHEEL 19
13	70086	1	CERCHIO POST 19x2.50 TAKASAGO	REAR RIM 2.50x19 Takasago
14	70271	18	RAGGIO R.PST.4.0/3.3/4.0 X 199	SPOKE R.WHEEL 4.0/3.3/4.0 X199
15	70259	18	RAGGIO R.PST.4.0/3.3/4.0 X 204	SPOKE R.WHEEL 4.0/3.3/4.0 X204
16	70062	36	NIPPLO ACCIAIO 4	SPOKE NIPPLE 4 mm
17	70119.3	1	MOZZO POSTERIORE 2015 3C NUDO	REAR HUB MY 2015
18	49643	9	DADO M 8 BASSO AUTOBLOCCANTE	NUT 8mm, LOW SELF-LOCKING
19	49611	9	RONDELLA ACCIAIO 8	WASHER STEEL 8mm
20	49421	9	VITE TSEI 8X25	BOLT TSEI 8X25
21	70103.48	1	CORONA CATENA Z 48 M. 86/->	SPROCKET 48T, REAR, M.86/->
21	70103.49	1	CORONA CATENA Z 49 M. 86/->	SPROCKET 49T, REAR, M.86/->
21	70103.50	1	CORONA CATENA Z 50 M. 86/->	SPROCKET 50T, REAR, M.86/->
21	70103.51	1	CORONA CATENA Z 51 M. 86/->	SPROCKET 51T, REAR, M.86/->
21	70103.52	1	CORONA CATENA Z 52 M. 86/->	SPROCKET 52T, REAR, M.86/->
21	70103.53	1	CORONA CATENA Z 53 M. 86/->	SPROCKET 53T, REAR, M.86/->
21	70290.50	1	CORONA CATENA Z 50 M. 86/-> ZF	SPROCKET 50T MY 86-> ZF
21	70290.51	1	CORONA CATENA Z 51 M. 86/-> ZF	SPROCKET 51T MY 86-> ZF

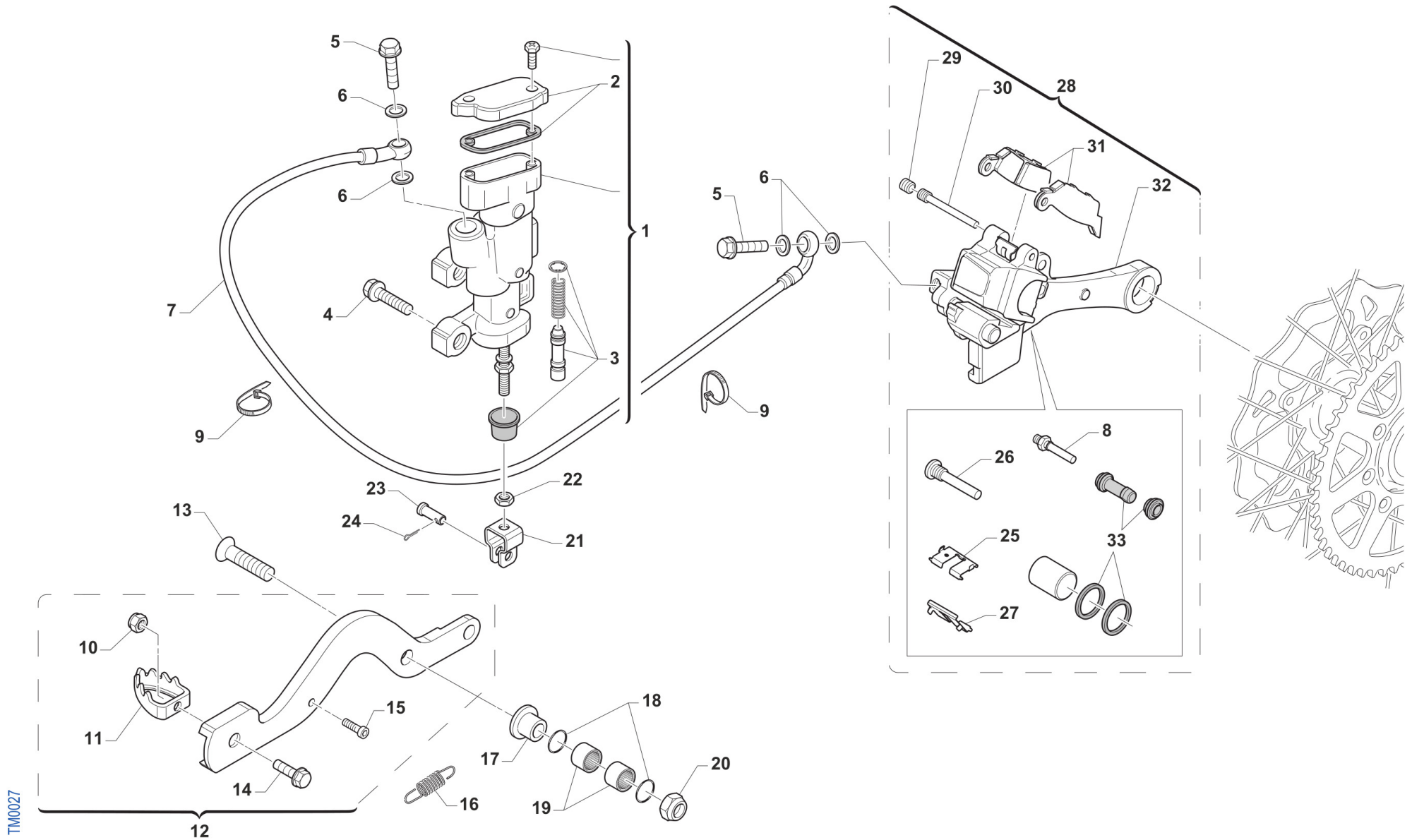


4T450FIFT21-T
TELAIO - FRAME

RUOTA POSTERIORE FT

12

21	70290.52	1	CORONA CATENA Z 52 M. 86/-> ZF	SPROCKET 52T MY 86-> ZF
21	70291.48	1	CORONA BLU/NERA ALLU/ACCIAIO Z48 ZF	SPROCKET BLUE/BLACK ALU/STEEL 48 T ZF
21	70291.49	1	CORONA BLU/NERA ALLU/ACCIAIO Z49 ZF	SPROCKET BLUE/BLACK ALU/STEEL 49 T ZF
21	70291.50	1	CORONA BLU/NERA ALLU/ACCIAIO Z50 ZF	SPROCKET BLUE/BLACK ALU/STEEL Z50 ZF
21	70291.51	1	CORONA BLU/NERA ALLU/ACCIAIO Z51 ZF	SPROCKET BLUE/BLACK ALU/STEEL 51T ZF
21	70291.52	1	CORONA BLU/NERA ALLU/ACCIAIO Z52 ZF	SPROCKET BLUE/BLACK ALU/STEEL 52 T ZF
22	70142	1	CATENA REGINA 135RX3 116MG	REGINA CHAIN 135 RX 116
23	70098	1	GIUNTO CATENA REGINA 135 RX3	CHAIN LINK 135 RX3
24	70119.15	1	MOZZO POSTERIORE 2015 CPL	REAR HUB 2015 -> ASSY





4T450FIFT21-T
TELAIO - FRAME

FRENO POSTERIORE
REAR BRAKE

1	69181	1	POMPA FRENO POST 05/-> INTEGR	BRAKE PUMP, REAR NISSIN M.05->
2	69321	1	KIT TAPPO/GUARN. POMPA PST NIS	CAP AND RUBBER
3	69084.05	1	KIT REV. PIST.POMPA POST.05/->	KIT, REV. REAR MASTER CYL.05->
4	49574	2	VITE TBCE 6X12 PROT.FORCELLA	BOLT TBCE 6x12
5	69094	2	BULLONE 10X1.25 T.FRENO NISSIN 03	BOLT,10X1,25 BRAKE HOSE NISSIN
6	69034	4	RONDELLA X BULLONE FREN B22001	WASHER B22001, BRAKE HOSE
7	F69519	1	TUBO FRENO POSTERIORE M. 11/->	HOSE, RR BRAKE M. 11/->
8	69232	1	PERNO X PINZA FRENO POST.05/12	PIN, RR BRAKE CALIPER 05/12
9	51037	2	FASCETTA NYLON 200 X 3,6	NYLON CLAMP
10	49629	1	DADO M 5 ALTO AUTOBLOCCANTE	NUT 5mm, HIGHT SELF-LOCKING
11	69002.99	1	PARTE ANT.PED.FRENO POST.99/->	PIT, RR BRAKE PEDAL 99/->
12	69250.08	1	PEDALE F.POST 250/300+4T M.08	BRAKE PEDAL, 250/300+4S 08/->
13	49425	1	VITE TSEI 8X45	BOLT TSEI 8 x 45
14	49400	1	VITE TSEI 5X14	BOLT TSEI 5x14
15	49556	1	VITE TBCE 4X10	BOLT TBCE 4x10
16	F16434	1	MOLLA PEDALE FRENO M.08 T.AL.	SPRING, RR BRAKE PEDAL 08/->
17	69205	1	BOCCOLA FRENO POST T.AL 08/->	BUSH, REAR BRAKE 08/->
18	12051	2	O RING FRENO POST. PEDALE	O-RING REAR BRAKE PEDAL BUSH
19	19044	2	GABBIA A RULLI FRENO POST.	NEEDLE BUSH REAR BRAKE PEDAL
20	49680	1	DADO M 8 X 1,25 CH 12 FLANG. AUTOBLOCK	NUT, M 8X1,25 FLANG. SB
21	69125	1	FORCHETTINA POMPA FRENO POS.05	FORK, REAR BRAKE 05
22	49636	1	DADO M 6	NUT M6
23	69012.05	1	PERNO SNODO FRENO POST. MY 05->	PIN REAR BRAKE MASTER CYL. MY 05->
24	68997	1	COPIGLIA PEDALE FRENO	COTTER PIN BRAKE PEDAL
25	69309	1	PIASTR.FERMA P.NISSIN RETAINER	RETAINER BRAKE PADS NISSIN
26	69094	1	BULLONE 10X1.25 T.FRENO NISSIN 03	BOLT,10X1,25 BRAKE HOSE NISSIN
27	69086	1	LAMIERINO PINZA POST NIS 01/->	PLATE, REAR BRAKE CALIPER 01->
28	69185.15	1	PINZA FRENO POST. 15-> NISSIN	BRAKE CALIPER, REAR, M. 15/->

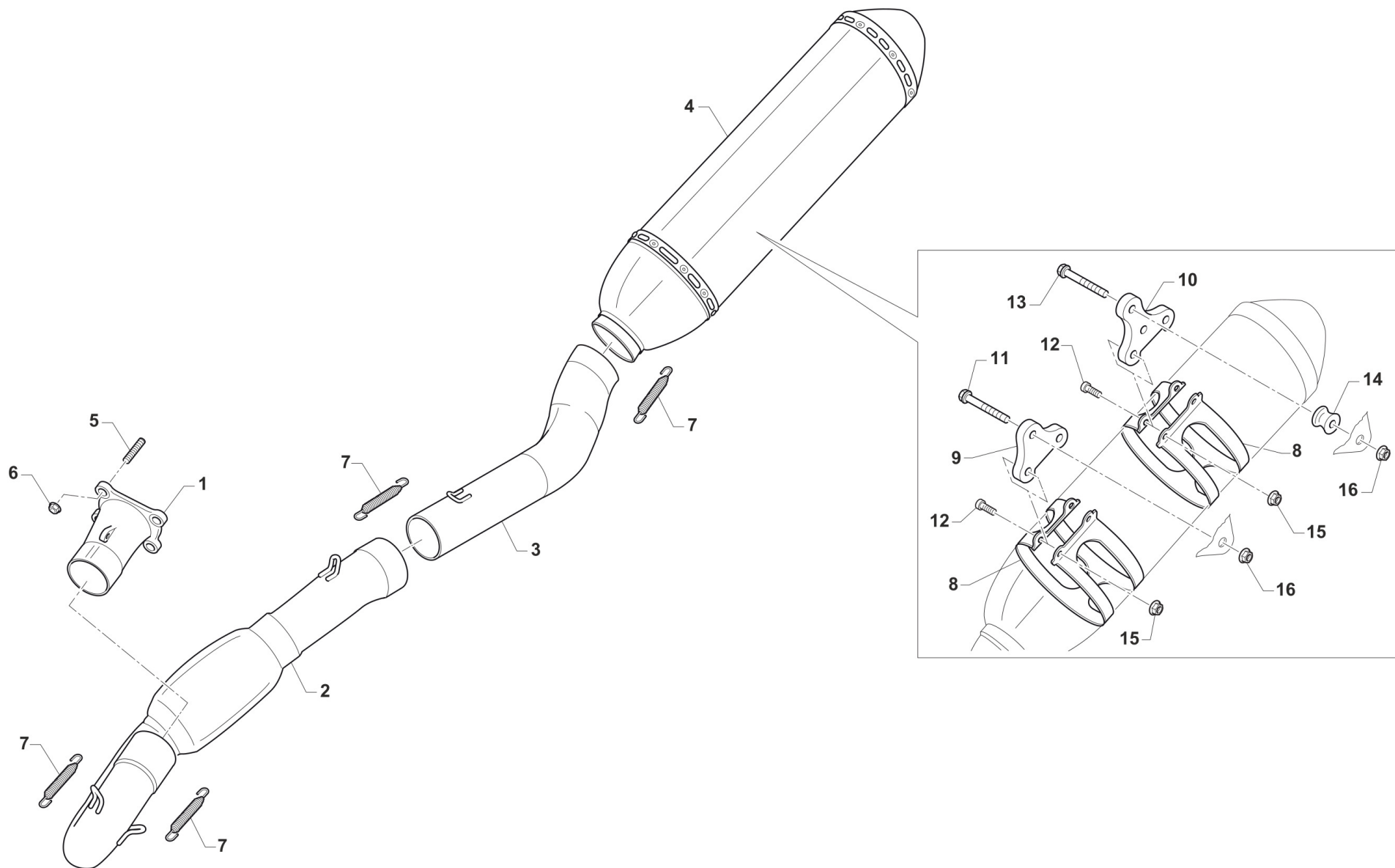


4T450FIFT21-T
TELAIO - FRAME

FRENO POSTERIORE
REAR BRAKE

13

29	69087	1	GRANO PERNO 69088 NISSIN 01/11	SCREW PLUG FOR BRAKE PIN 01/07
30	69088	1	PERNO PAST. POST NISSIN 01/11	PIN, RR BRAKE NISSIN M. 01/->
31	69096.05	1	PASTIGLIE FRENO POST. M.05-> NISSIN	PAD ASSY, RR BRAKE NISSIN MY 05->
32	69285.15	1	SUPPORTO PINZA FR.PST.NIS15/->	HOLDER, REAR BRAKE CALIPER
33	69258	1	KIT REV.GOMM. PINZA PST 05/->	REAR BRAKE CALIPER RUBBER REVIEW 05/->
34	69257	1	PERNO/VITE PINZA POST.01/->	PIN, RR BRAKE CALIPER 01-> NI.



TM0062

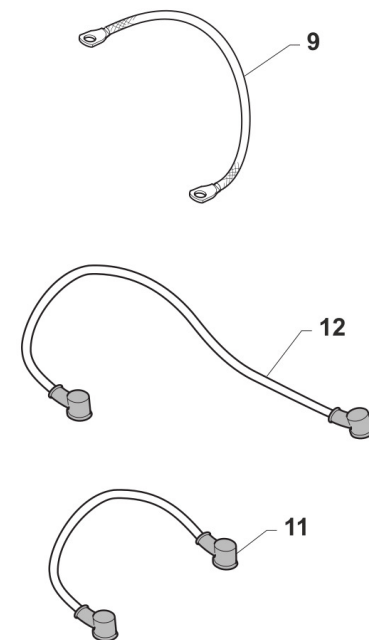
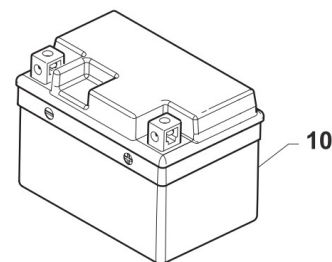
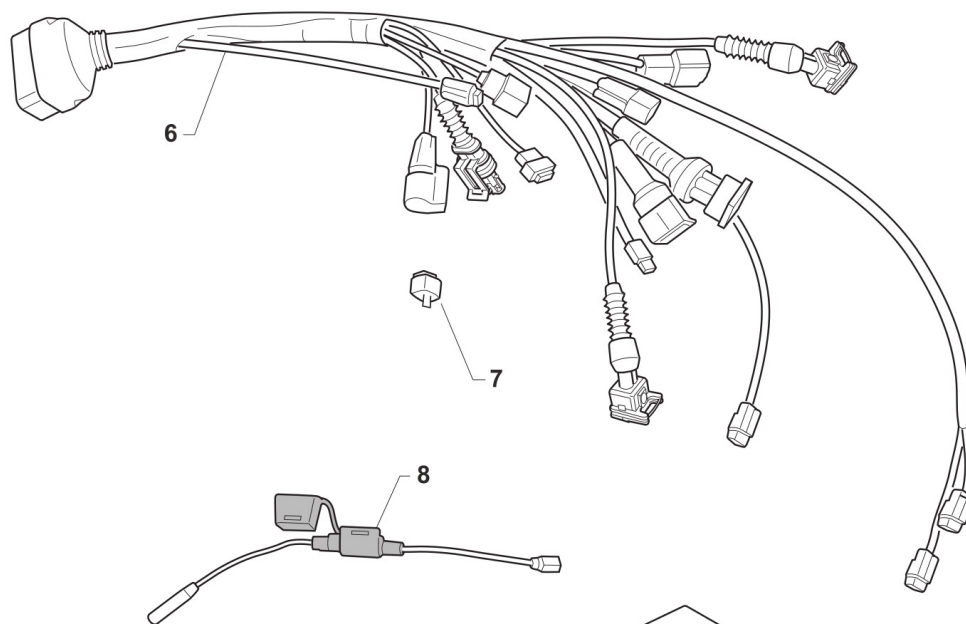
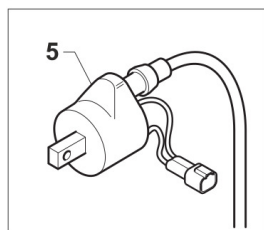
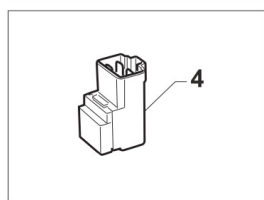
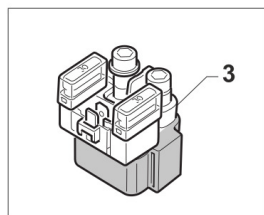
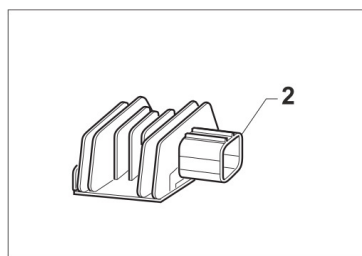
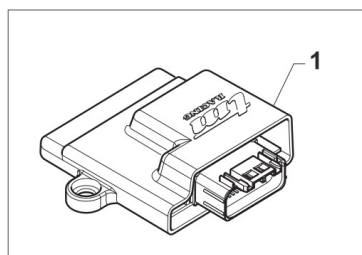


4T450FIFT21-T
TELAIO - FRAME

SCARICO
EXHAUST SYSTEM

14

1	F13283	1	COLLETTORE PRIMARIO 450Fi MX MY15->	PRIMARY MANIFOLD 450 MX MY15->
2	F27557	1	COLLETTORE SECOND. 450Fi ENDURO M15->(USE ONLY FOR RACES)	SECONDARY MANIFOLD 450Fi MX/E
3	F27558	1	COLLET. CENTR. 450 MX/EN M15 250/300Fi MX 2016/2017	
4	F27559	1	SILENZ. 450/530Fi MX M15 HGS	SILENCER 450Fi MX HGS M.15->
5	49151	4	PRIGIONIERO M6X27,4 CARB.100	STUD M 6x27
6	49676	4	DADO M 6X1 FLANG. AUTOBL.ACC.	NUT, FLANGED M6 X 1 S.B.
7	F27476	4	MOLLA TR. X SCARICO M08 MM42	SPRING, EXHAUST MM42 INOX
8	F27555	2	FASCIA SILENZ. HGS M13 TRAPEZ.	BAND, HGS SILENCER M.13 TRAPEZ
9	F27572	1	PIASTRINO SC.250E/450 ANT 2015	PLATE, EXH.250/450E FRONT M.15
10	F27571	1	PIASTRINO SC.250E/450 PST 2015	PLATE, EXH.250/450E REAR M.15
11	49358	1	VITE TE F/R 6X30 Ch.8	BOLT 6X30 T.8
12	49474	4	VITE TCEI 5X16 UNI 5931	BOLT TCEI 5X16
13	49359	1	VITE TE F/R 6X35 Ch.8	BOLT 6X35 T.8
14	F27532	1	DISTANZIALE SILENZIATORE 4T	
15	49701	4	DADO M 5 FLANGIATO VALV.	NUT 5mm, FLANGED VALV.
16	49676	2	DADO M 6X1 FLANG. AUTOBL.ACC.	NUT, FLANGED M6 X 1 S.B.





4T450FIFT21-T
TELAIO - FRAME

CABLAGGI
WIRING

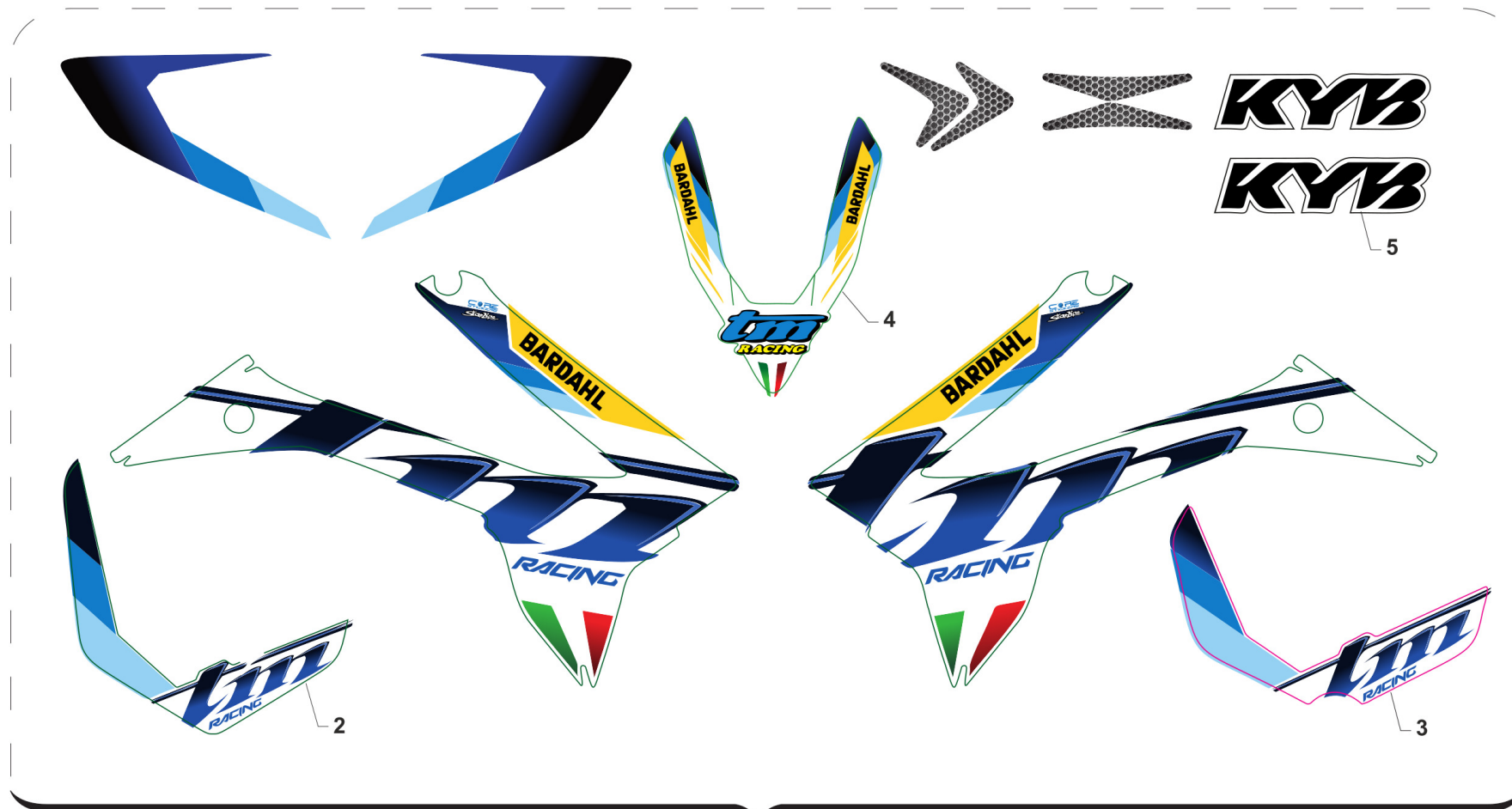
15

1	F08422.0	1	KEIHIN INJECTOR	CDI MX 450 V.2020 (ECU eM007) INIETTORE KEIHIN	
2	F15559	1		REGOLATORE KOKUSAN RX4513 ZERO	REGULATOR KOKUSAN RX4513
3	F68102	1		RELAY AVV. ELETTRICO 2 e 4 TEMPI	RELAY, ELECTRIC STARTER
4	F68212	1		RELAY AVV. ELETTRICO PAN. M2015->	RELAY EL. STARTER M.-> 15
5	F15458	1		BOBINA KOKUSAN 4T MX PICCOLA	COIL, INGNITION KOK IG5132
6	F68316.20	1	THROTTLE BODY WITH KEIHIN INJ.	CABLAGGIO 4T Fi 450 EN/SMR/MX MY 2020 INIETTORE KEIHIN	
7	F68184	1		DIODO SDG	
9	F68142	1		TRECCIA DI MASSA T.AL.08 4T F6	EARTH CABLE
10	68226	1		BATTERIA ALIANT YLP14 12V 14AH	
11	F68213	1		CAVO BATTERIA ROSSO M. 2015	WIRE BATTERY RED M.15->
12	F68214	1		CAVO BATTERIA NERO M. 2015	WIRE BATTERY BLACK M.15->



4T450FIFT21-T
TELAIO - FRAME

KIT ADESIVI
STICKERS KIT



6



8



7



9



**4T450FIFT21-T
TELAIO - FRAME**

**KIT ADESIVI
STICKERS KIT**

16

1	94148.21	1	KIT ADESIVI MY 2021 4T + 2T Fi	STICKERS MY 21 F.S. + T.S. Fi
2	94160.21	1	KIT AD. M.21 ADESIVO P.NUM.ANT	
3	94161.21	1	KIT AD. M.21 ADESIVO PORTAFARO	
4	94037.21	1	ADESIVO PARAF. ANT 2021	
5	94173	1	ADESIVI FORC. KAYABA NERI	DECAL KYB BLACK
6	94180.250	1	KIT AD. M.21 CIL 250Fi 4T	
7	94180.300	1	KIT AD. M.21 CIL 300Fi 4T	
8	94180.450	1	KIT AD. M.21 CIL 450Fi 4T	
9	94180.530	1	KIT AD. M.21 CIL 530Fi 4T	



4T450FIFT21-T
TELAIO - FRAME

-

00692	4T450FIMX16-T-07	19	2
03070	4T450FIMX20-T-03	18	2
03071	4T450FIFT17-T-04	3	2
	4T450FIFT17-T-12	4	3
04074	4T450FIFT17-T-12	2	2
12010	4T450FIMX16-T-11	3	2
12039	4T450FIMX16-T-09	3	1
12051	4T450FIMX16-T-13	18	2
12102	4T450FIMX16-T-10	22	4
	4T450FIMX16-T-11	9	4
16021	4T450FIMX16-T-07	2	1
16022	4T450FIMX16-T-07	23	2
16023	4T450FIMX16-T-07	4	1
16026	4T450FIMX16-T-09	5	1
19043	4T450FIMX16-T-10	23	2
19044	4T450FIMX16-T-13	19	2
19101	4T450FIMX16-T-11	10	1
19106	4T450FIMX16-T-11	2	6
21033	4T450FIMX20-T-03	22	1
21036	4T450FIMX20-T-03	27	4
21102	4T450FIMX16-T-05	5	4
21135	4T450FIMX16-T-08	10	2
23010	4T450FIMX16-T-05	7	1
26059	4T450FIMX16-T-08	6	2
26082	4T450FIMX16-T-06	8	1
26083	4T450FIMX16-T-06	17	1
26084	4T450FIMX16-T-05	4	4
	4T450FIMX16-T-08	14	4

26092	4T450FIMX16-T-10	11	1
26106	4T450FIMX20-T-03	28	2
26119	4T450FIMX16-T-09	14	1
26132	4T450FIMX16-T-08	15	2
26157	4T450FIMX16-T-08	16	2
43044	4T450FIMX20-T-01	7	1
49077	4T450FIFT17-T-04	8	1
49080	4T450FIMX20-T-03	21	1
49095	4T450FIMX16-T-10	18	2
49117	4T450FIMX16-T-06	14	1
49123	4T450FIMX16-T-10	6	1
49151	4T450FIMX16-T-14	5	4
49250	4T450FIFT17-T-04	6	1
49257	4T450FIFT17-T-12	3	1
49304	4T450FIMX16-T-06	26	2
49317	4T450FIMX16-T-08	17	2
	4T450FIMX16-T-08	23	4
	4T450FIMX16-T-09	8	1
49345	4T450FIMX16-T-11	7	2
49347.1	4T450FIMX16-T-11	13	1
49352	4T450FIMX16-T-07	11	1
49355	4T450FIMX16-T-05	3	4
49356	4T450FIMX16-T-08	12	2
	4T450FIMX16-T-08	13	4
49358	4T450FIMX16-T-14	11	1
49359	4T450FIMX16-T-14	13	1
49362	4T450FIMX16-T-10	13	2
49364	4T450FIMX16-T-07	7	12

49365	4T450FIMX16-T-07	8	2
	4T450FIMX20-T-02	6	2
49370	4T450FIFT17-T-04	19	6
	4T450FIMX16-T-10	12	1
49374	4T450FIMX16-T-09	10	2
49382	4T450FIMX16-T-07	21	2
49383	4T450FIMX16-T-07	22	2
49396	4T450FIMX16-T-10	17	3
49400	4T450FIMX16-T-13	14	1
49402	4T450FIMX16-T-06	21	4
49404	4T450FIMX16-T-06	16	1
49418	4T450FIMX16-T-06	1	1
49421	4T450FIFT17-T-12	20	9
49425	4T450FIMX16-T-13	13	1
49435	4T450FIMX16-T-08	18	4
49443	4T450FIFT17-T-12	6	4
49474	4T450FIMX16-T-14	12	4
	4T450FIMX20-T-03	31	2
49484	4T450FIMX16-T-08	7	2
49502	4T450FIMX20-T-03	30	12
49556	4T450FIMX16-T-13	15	1
49571	4T450FIMX20-T-03	2	6
49574	4T450FIMX16-T-06	7	2
	4T450FIMX16-T-08	5	11
	4T450FIMX16-T-13	4	2
49582	4T450FIMX20-T-03	3	2
49597	4T450FIMX16-T-07	3	2
49603	4T450FIMX16-T-10	14	2



4T450FIFT21-T
TELAIO - FRAME

-

49611	4T450FIFT17-T-12	19	9
49612	4T450FIMX16-T-07	24	2
49621	4T450FIMX16-T-06	2	1
49629	4T450FIMX16-T-13	10	1
	4T450FIMX20-T-03	32	2
49636	4T450FIMX16-T-13	22	1
49637	4T450FIMX16-T-06	13	1
49638	4T450FIMX16-T-10	15	2
49640	4T450FIFT17-T-04	14	1
	4T450FIFT17-T-12	9	1
	4T450FIMX16-T-10	5	2
49643	4T450FIFT17-T-12	18	9
49646	4T450FIMX20-T-03	26	2
49676	4T450FIMX16-T-11	19	1
	4T450FIMX16-T-14	6	4
	4T450FIMX16-T-14	16	2
49680	4T450FIMX16-T-07	9	8
	4T450FIMX16-T-13	20	1
49682	4T450FIMX16-T-11	6	3
49701	4T450FIMX16-T-14	15	4
49725	4T450FIMX16-T-07	16	1
49754	4T450FIMX16-T-09	13	6
49789	4T450FIMX16-T-07	10	1
49790	4T450FIMX16-T-11	17	1
49791	4T450FIMX16-T-11	13	1
49794	4T450FIMX16-T-10	3	4
49872	4T450FIMX16-T-06	23	9
49888	4T450FIMX16-T-06	24	2

49923	4T450FIMX16-T-06	12	1
49924	4T450FIMX16-T-06	5	1
49925	4T450FIMX16-T-06	10	1
51006	4T450FIMX16-T-06	22	1
51014	4T450FIMX16-T-05	10	2
51036	4T450FIMX16-T-05	15	4
51037	4T450FIMX16-T-05	9	2
	4T450FIMX16-T-13	9	2
51062	4T450FIMX16-T-05	14	2
51078	4T450FIMX16-T-05	16	1
64010	4T450FIMX20-T-01	16	1
64055	4T450FIMX20-T-01	21	1
64067	4T450FIMX20-T-01	22	1
64067.1	4T450FIMX20-T-01	22	1
64078.1	4T450FIMX20-T-01	5	1
64079	4T450FIMX20-T-01	22	1
64083	4T450FIMX20-T-01	4	1
64238	4T450FIMX20-T-01	14	1
64240	4T450FIMX20-T-01	8	1
64241	4T450FIMX20-T-01	13	1
64243	4T450FIMX20-T-01	11	1
64245	4T450FIMX20-T-01	12	1
64247	4T450FIMX20-T-01	9	1
64249	4T450FIMX20-T-01	10	1
65032	4T450FIMX16-T-09	6	1
65035	4T450FIMX16-T-09	4	1
66065	4T450FIMX16-T-06	3	1
67036	4T450FIMX16-T-05	11	

67054	4T450FIMX16-T-10	2	2
67088.08	4T450FIMX16-T-07	15	1
	4T450FIMX16-T-11	18	1
67099.15	4T450FIMX16-T-10	16	1
67102.10	4T450FIMX16-T-10	10	1
67131.12	4T450FIMX16-T-08	11	1
67170	4T450FIMX16-T-05	12	
67177.15	4T450FIMX16-T-08	24	1
67216.12	4T450FIMX16-T-08	11	1
67217.15	4T450FIMX16-T-08	24	1
67224.20	4T450FIMX20-T-03	1	1
67233	4T450FIMX16-T-08	9	1
67235.20	4T450FIMX20-T-03	1	1
67251.15	4T450FIMX16-T-08	8	1
67271.15	4T450FIMX16-T-08	1	1
67273.15	4T450FIMX16-T-08	3	1
67275	4T450FIMX16-T-08	20	1
67276	4T450FIMX16-T-08	21	1
67282	4T450FIMX16-T-08	22	1
68029	4T450FIMX20-T-01	17	1
68226	4T450FIMX21-T-15	10	1
68244	4T450FIMX20-T-01	2	1
68997	4T450FIMX16-T-13	24	1
69002.99	4T450FIMX16-T-13	11	1
69012.05	4T450FIMX16-T-13	23	1
69034	4T450FIMX16-T-13	6	4
	4T450FIMX20-T-01	19	2
	4T450FIMX20-T-02	15	4



4T450FIFT21-T
TELAIO - FRAME

-

69060.14	4T450FIMX20-T-02	16	1
69084.05	4T450FIMX16-T-13	3	1
69086	4T450FIMX16-T-13	27	1
69087	4T450FIMX16-T-13	29	1
69088	4T450FIMX16-T-13	30	1
69093	4T450FIMX20-T-01	20	1
	4T450FIMX20-T-02	17	2
69094	4T450FIMX16-T-13	5	2
	4T450FIMX16-T-13	26	1
69096.05	4T450FIMX16-T-13	31	1
69107	4T450FIMX20-T-02	2	1
69113	4T450FIMX20-T-02	4	1
69117	4T450FIMX20-T-02	2	1
69125	4T450FIMX16-T-13	21	1
69181	4T450FIMX16-T-13	1	1
69185.15	4T450FIMX16-T-13	28	1
69205	4T450FIMX16-T-13	17	1
69222	4T450FIMX20-T-02	1	1
69232	4T450FIMX16-T-13	8	1
69248	4T450FIMX20-T-02	7	1
69250.08	4T450FIMX16-T-13	12	1
69257	4T450FIMX16-T-13	34	1
69258	4T450FIMX16-T-13	33	1
69260	4T450FIFT17-T-04	18	1
69261	4T450FIFT17-T-12	7	1
69273	4T450FIMX20-T-02	5	1
69274	4T450FIMX20-T-02	3	1
69285.15	4T450FIMX16-T-13	32	1

69309	4T450FIMX16-T-13	25	1
69321	4T450FIMX16-T-13	2	1
69357	4T450FIMX20-T-02	9	1
69358	4T450FIMX20-T-02	10	1
69362	4T450FIMX20-T-02	13	1
69363	4T450FIMX20-T-02	8	1
69364	4T450FIMX20-T-02	11	1
69365	4T450FIMX20-T-02	14	1
69368	4T450FIMX20-T-02	12	1
69998	4T450FIFT17-T-04	2	2
70028	4T450FIFT17-T-04	13	1
	4T450FIFT17-T-12	8	1
70038	4T450FIFT17-T-04	11	1
	4T450FIFT17-T-12	12	1
70053	4T450FIFT17-T-04	12	1
70062	4T450FIFT17-T-04	16	36
	4T450FIFT17-T-12	16	36
70086	4T450FIFT17-T-12	13	1
70098	4T450FIFT17-T-12	23	1
70103.48	4T450FIFT17-T-12	21	1
70103.49	4T450FIFT17-T-12	21	1
70103.50	4T450FIFT17-T-12	21	1
70103.51	4T450FIFT17-T-12	21	1
70103.52	4T450FIFT17-T-12	21	1
70103.53	4T450FIFT17-T-12	21	1
70119.15	4T450FIFT17-T-12	24	1
70119.3	4T450FIFT17-T-12	17	1
70140.15	4T450FIMX16-T-10	7	1

70142	4T450FIFT17-T-12	22	1
70165	4T450FIFT17-T-04	4	2
70166	4T450FIFT17-T-04	7	1
70167	4T450FIFT17-T-04	5	1
70181	4T450FIFT17-T-04	17	1
70188	4T450FIFT17-T-04	20	1
70240	4T450FIFT17-T-12	5	1
70241	4T450FIFT17-T-12	1	2
70259	4T450FIFT17-T-04	15	36
	4T450FIFT17-T-12	15	18
70271	4T450FIFT17-T-12	14	18
70290.50	4T450FIFT17-T-12	21	1
70290.51	4T450FIFT17-T-12	21	1
70290.52	4T450FIFT17-T-12	21	1
70291.48	4T450FIFT17-T-12	21	1
70291.49	4T450FIFT17-T-12	21	1
70291.50	4T450FIFT17-T-12	21	1
70291.51	4T450FIFT17-T-12	21	1
70291.52	4T450FIFT17-T-12	21	1
70293	4T450FIFT17-T-04	9	1
70295	4T450FIFT17-T-12	10	1
72000.80	4T450FIMX20-T-03	20	1
72000.81	4T450FIMX20-T-03	15	1
72000.88	4T450FIMX20-T-03	25	1
72002.02	4T450FIMX20-T-03	17	2
72008.98	4T450FIMX20-T-03	19	1
72031	4T450FIMX20-T-03	16	1
72036.11	4T450FIMX20-T-03	23	2



4T450FIFT1-T
TELAIO - FRAME

-

72037.11	4T450FIMX20-T-03	29	2
72341	4T450FIMX20-T-03	24	2
72501	4T450FIMX20-T-03	7	2
72502	4T450FIMX20-T-03	5	2
72503	4T450FIMX20-T-03	10	2
72504	4T450FIMX20-T-03	9	2
72525	4T450FIMX20-T-03	6	2
72526	4T450FIMX20-T-03	8	2
72530	4T450FIMX20-T-03	11	2
72567.1	4T450FIMX20-T-03	13	2
72568	4T450FIMX20-T-03	4	1
72569	4T450FIMX20-T-03	14	1
73016.15	4T450FIMX16-T-11	20	1
73036	4T450FIMX16-T-07	17	2
73047	4T450FIMX16-T-08	19	2
73048.10	4T450FIMX16-T-07	18	1
73049.10	4T450FIMX16-T-07	18	1
73059.15	4T450FIMX16-T-11	21	1
73064	4T450FIMX16-T-07	20	2
73075	4T450FIMX16-T-11	4	2
73112	4T450FIMX16-T-10	21	2
73115	4T450FIMX16-T-10	19	2
73130	4T450FIMX16-T-10	9	1
73144	4T450FIMX16-T-11	14	1
73145	4T450FIMX16-T-11	1	1
73204	4T450FIMX16-T-11	15	1
73211	4T450FIMX16-T-11	5	1
73214	4T450FIMX16-T-11	11	1

74044	4T450FIFT17-T-04	1	1
74055.15	4T450FIMX16-T-10	8	1
74056	4T450FIMX16-T-10	20	1
80152	4T450FIFT17-T-04	10	1
	4T450FIFT17-T-12	11	1
94037.21	KA21-4T	4	1
94148.21	KA21-4T	1	1
94160.21	KA21-4T	2	1
94161.21	KA21-4T	3	1
94173	KA21-4T	5	1
94180.250	KA21-4T	6	1
94180.300	KA21-4T	7	1
94180.450	KA21-4T	8	1
94180.530	KA21-4T	9	1
F08004	4T450FIMX16-T-06	25	1
F08122	4T450FIMX16-T-09	12	1
F08348	4T450FIMX16-T-09	11	1
F08422.0	4T450FIMX21-T-15	1	1
F12312	4T450FIMX16-T-11	12	2
F13283	4T450FIMX16-T-14	1	1
F15458	4T450FIMX21-T-15	5	1
F15559	4T450FIMX21-T-15	2	1
F16434	4T450FIMX16-T-13	16	1
F21408.1	4T450FIMX16-T-05	13	1
F21413.1	4T450FIMX16-T-05	17	2
F23303	4T450FIMX16-T-05	2	4
F23316	4T450FIMX16-T-05	6	1
F23317	4T450FIMX16-T-05	8	1

F23321	4T450FIMX16-T-05	1	1
F23323	4T450FIMX16-T-05	1	1
F26437	4T450FIMX16-T-07	14	2
F26440.15	4T450FIMX16-T-07	6	1
F26441.15	4T450FIMX16-T-07	5	1
F26578	4T450FIMX16-T-09	9	1
F27476	4T450FIMX16-T-14	7	4
F27532	4T450FIMX16-T-14	14	1
F27555	4T450FIMX16-T-14	8	2
F27557	4T450FIMX16-T-14	2	1
F27558	4T450FIMX16-T-14	3	1
F27559	4T450FIMX16-T-14	4	1
F27571	4T450FIMX16-T-14	10	1
F27572	4T450FIMX16-T-14	9	1
F35503.14	4T450FIMX20-T-01	18	1
F49822	4T450FIMX16-T-06	9	1
F49861	4T450FIMX16-T-07	26	4
F49962	4T450FIMX16-T-07	12	2
	4T450FIMX16-T-11	16	1
F49976	4T450FIMX16-T-10	4	2
F50827	4T450FIMX16-T-07	25	1
F64300	4T450FIMX20-T-01	1	1
F64322	4T450FIMX20-T-01	3	1
F64326	4T450FIMX20-T-01	15	1
F65129	4T450FIMX16-T-09	2	1
F65131	4T450FIMX16-T-09	1	1
F66520	4T450FIMX16-T-06	19	1
F66521	4T450FIMX16-T-06	4	1



4T450FIFT21-T
TELAIO - FRAME

-

F67132	4T450FIMX16-T-08	4	1
F67133	4T450FIMX16-T-08	2	1
F67136	4T450FIMX16-T-06	11	1
F67137	4T450FIMX16-T-06	6	1
F67139	4T450FIMX16-T-06	18	1
F67139.1	4T450FIMX16-T-06	20	1
F67140	4T450FIMX16-T-08	22	1
F67141	4T450FIMX16-T-06	11	1
F67142	4T450FIMX16-T-06	15	1
F68102	4T450FIMX21-T-15	3	1
F68108	4T450FIMX16-T-09	7	1
F68142	4T450FIMX21-T-15	9	1
F68184	4T450FIMX21-T-15	7	1
F68189	4T450FIMX20-T-01	6	1
F68212	4T450FIMX21-T-15	4	1
F68213	4T450FIMX21-T-15	11	1
F68214	4T450FIMX21-T-15	12	1
F68316.20	4T450FIMX21-T-15	6	1
F69519	4T450FIMX16-T-13	7	1
F72445	4T450FIMX20-T-03	12	2
F72446	4T450FIMX20-T-03	12	2
F72447	4T450FIMX20-T-03	12	2
F72448	4T450FIMX20-T-03	12	2
F72449	4T450FIMX20-T-03	12	2
F73416	4T450FIMX16-T-11	8	1
F73462	4T450FIMX16-T-07	1	1
F73465	4T450FIMX16-T-07	13	1
F73474	4T450FIMX16-T-10	1	1